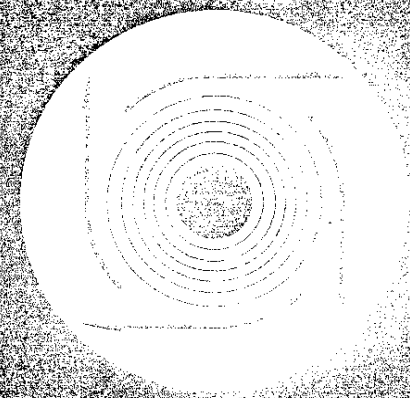
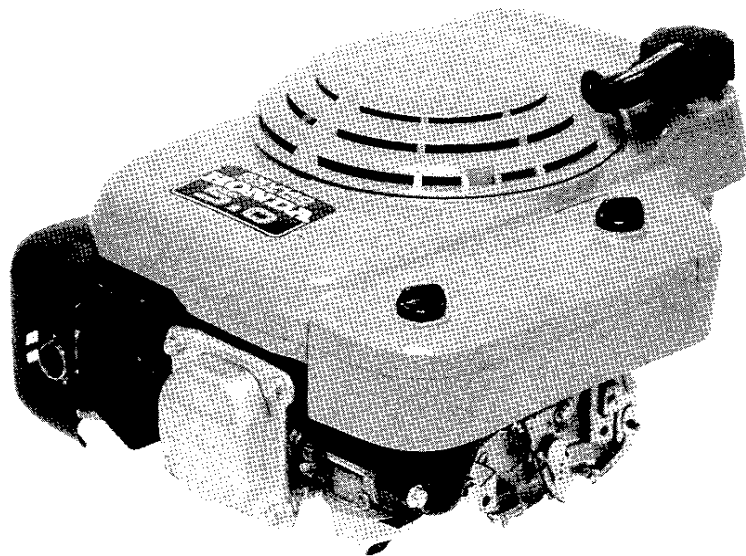


HONDA

**GENERAL PURPOSE ENGINE
GXV140**



PARTS CATALOGUE



GXV140

INDEX

FOREWORD INDEX

1

ENGINE GROUP

2

PART NUMBER INDEX

3

PART NAME INDEX

4

Instruction for use of parts catalogue

- **This parts catalogue was prepared based on the latest information available as of August 20, 2000.**
 - See the parts catalogue news for any revision that is made after August 20, 2000.
- **Always specify the part number when ordering a part.**
 - Check the model, type, serial numbers, color, maker and the size as needed before ordering a part.
 - Note that the illustrations (part drawings) can differ from the actual parts in shape. They are given just to help you to refer to the parts.
- **When modifications or additions to the parts catalogue are made, a revised edition will be issued at an appropriate time, with successively progressing a revision number on the cover. We recommend obtaining such revisions in order to keep your parts catalogue up-to-date at all times. To check whether a parts catalogue revision has been issued, please contact your HONDA distributor.**

Initial version issue date October 20, 1995

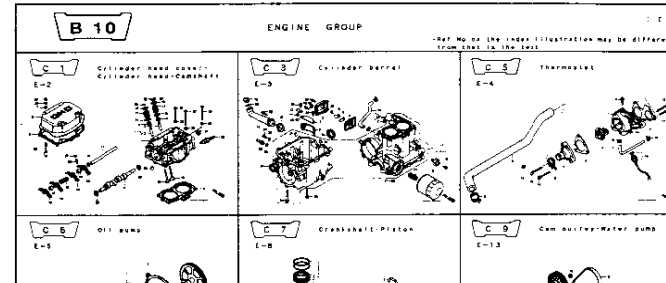
HONDA MOTOR CO., LTD.

CONTENTS

| | Page | Address No. | |
|--|------|-------------|----------|
| • How to refer to the part information | 2 | B 2 | 1 |
| • Part catalogue structure | 3 | B 3 | |
| • When the parts were revised | 4 | B 4 | |
| • Abbreviations used in the parts catalogue | 4 | B 4 | |
| • How to check the part block and serial numbers | 5 | B 5 | |
| • Models, types and applicable serial numbers. | 6 | B 6 | |
| • Features of each type | 7 | B 7 | |
| • In regard to the use of fuel hoses / tubes, tubes for general use, and vinyl tubes | 8 | B 8 | |
| • How to use the flat rate time (F.R.T.) | 9 | B 9 | |
| • Illustrated index | 11 | B 11 | |
| • Engine group | 13 | C 1 | 2 |
| • Part No. index | 41 | E 1 | 3 |
| • Part name index | 43 | F 1 | 4 |

How to refer to the part information

A Reference with "Illustrated index"



B Reference with "Part number index"

I 1 PART NO. INDEX

| Address Page | | | Address | | |
|---------------|-----|-----|---------------|-----|-----|
| Part No. | No. | No. | Part No. | No. | No. |
| 06000 | | | 13310-ZA0-950 | | C7 |
| | | | 13316-ZA0-003 | | C7 |
| 06165-ZA0-700 | C16 | 30 | 13321-ZA0-003 | | C7 |
| 06390-ZA0-800 | G9 | 74 | 13322-ZA0-003 | | C8 |
| | | | 13323-ZA0-003 | | C8 |
| 11000 | | | 13324-ZA0-003 | | C8 |
| | | | 13325-ZA0-003 | | C8 |
| 11312-ZA0-000 | H1 | 82 | | | |
| 11801-ZA0-000 | D2 | 32 | 14000 | | |
| 11801-ZA0-800 | D2 | 32 | | | |
| 11802-ZA0-000 | D2 | 32 | 14101-ZA0-701 | | C1 |
| 11803-ZA0-930 | D2 | 32 | 14311-ZA0-005 | | C9 |

C Reference with "Part name index"

J 1 PART NAME INDEX

| Part name | Address Page Ref. | | | Pa |
|------------------------|-------------------|-----|-----|-----------|
| | No. | No. | No. | |
| (A) | | | | BOLT, FL. |
| ARM COMP., GOVERNOR | C16 | 30 | 16 | |
| ARM, CHOKE | G9 | 74 | 5 | |
| ARM, VALVE ROCKER | C1 | 15 | 10 | |
| ARMATURE COMP. | C14 | 28 | 5 | |
| ARRESTER, SPARK | F8 | 57 | 7 | |
| | F9 | 58 | 6 | |
| (B) | | | | BOLT, FL. |
| BAND | H9 | 90 | 13 | |
| BAND B1, WIRE | H9 | 90 | 14 | |
| BAND, CONNECTING TUBE | F5 | 54 | 18 | |
| | F7 | 56 | 9 | |
| BAND, TOOL BOX | F13 | 62 | 12 | |
| BAR, PLUG WRENCH | H5 | 86 | 8 | |
| BARREL ASSY., CYLINDER | C3 | 17 | 1 | |
| BASE, RECOIL STARTER | G13 | 78 | 2 | |
| BASE, WHEEL LOCKING | H7 | 88 | 3 | |
| BATTERY ASSY. | F13 | 62 | 1 | |
| | F14 | 63 | 1 | |

C 10 Carburetor

E-14 Service Item R.T.

| Service Item | R.T. |
|--------------------------|------|
| VALVE SET, FLO. | 7 |
| FLOAT SET | |
| JET, MAIN | |
| CARBURETOR ASSY. | 0.5 |
| INSULATOR, CARBURETOR | |
| PACKING, CARBURETOR | |
| PACKING, INSULATOR | |
| VALVE ASSY., SOLENOID | 0.6 |
| PACKING, INTAKE MANIFOLD | 1.7 |
| MANIFOLD, INTAKE | |

Address No. (circled in diagram)

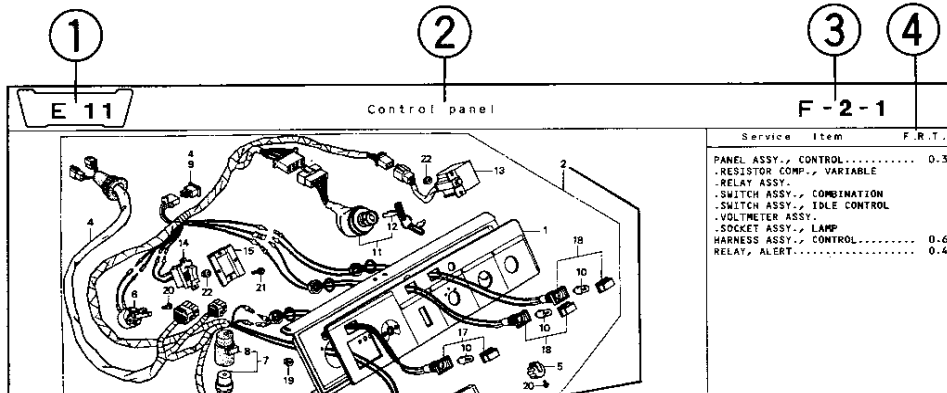
Block No. (circled in diagram)

| Ref. No. | Part No. | Description | Reqd. QTY | | Serial No. | Type |
|----------|---------------|----------------------------|-----------|----|------------|------------------|
| | | | ES | ES | | |
| 1 | 11815-ZA0-930 | STAY, TIMING BELT | 1 | 1 | | |
| 2 | 16011-ZA0-931 | VALVE SET, FLOAT | 1 | 1 | | |
| 3 | 16013-ZA0-931 | FLOAT SET | 1 | 1 | | R,U |
| 4 | 16016-ZA0-931 | SCREW SET, PILOT | 1 | 1 | | C,L,T |
| | 16016-ZE0-005 | | | | | B,C,E,F,G,GV,S,T |
| 5 | 16023-ZA0-702 | CHAMBER SET, FLOAT | 1 | 1 | | |
| 6 | 16024-124-760 | SCREW SET, BRAIN | 1 | 1 | | |
| 7 | 16028-ZA0-981 | SCREW SET | 1 | 1 | | |
| 8 | 16040-ZA0-702 | GASKET SET | 1 | 1 | | |
| 9 | 16044-ZA0-932 | CHOKE SET | 1 | 1 | | R,U |
| | | | | | | C,L,T |
| 10 | 16100-ZA0-935 | CARBURETOR ASSY. (BE25A D) | 1 | 1 | | |
| | 16100-ZA0-956 | CARBURETOR ASSY. (BE26A G) | 1 | 1 | | B,C,E,F,G,GV,S,T |
| 11 | 16124-ZE0-005 | SCREW, THROTTLE STOP | 1 | 1 | | |
| 12 | 16148-943-003 | CAP. CHOKE BUST. | 1 | 1 | | B,C,E,F,G,GV,S,T |
| 13 | 16166-ZA0-951 | NOZZLE, MAIN | 1 | 1 | | B,C,E,F,G,GV,S,T |
| | 16166-ZA0-931 | | | | | R,U |
| | | | | | | C,L,T |
| 14 | 16199-ZA0-930 | TUBE, AIR VENT | 1 | 1 | | |
| 15 | 16200-ZA0-102 | VALVE ASSY., SOLENOID | 1 | 1 | | |
| | | INSULATOR, CARBURETOR | 1 | 1 | | |
| | | SPACER COMP., CARBURETOR | 1 | 1 | | R,U |
| | | SPACER COMP., CARBURETOR | 1 | 1 | | |
| | | PACKING, CARBURETOR | 1 | 1 | | B,C,E,F,G,GV,S,T |

Page No. (circled in diagram)

1996-02-10 E

Part catalogue structure



| Ref. No. | Part No. | Description | Reqd. QTY | | Serial No. | Type |
|----------|-----------------|---|-----------|-------|------------|-------|
| | | | SX ES | K2 K2 | | |
| 1 | 31406-ZA0-870 | MARK, CONTROL PANEL..... | 1 | - | - | R,S,U |
| 2 | 31410-ZA0-D81ZA | PANEL ASSY., CONTROL *NH105*...MAT BLACK (#15-#20) | 1 | - | - | R,S,U |
| 3 | 31411-ZA0-801ZA | PANEL COMP., CONTROL *NH105*...MAT BLACK (#15-#20) | 1 | - | - | R,S,U |
| 4 | 31418-ZA0-D81 | HARNESS ASSY., CONTROL..... (EX-R,S,U) | 1 | - | - | R,S,U |
| 5 | 31461-898-000 | KNOB, ADJUSTING..... | 1 | - | - | R,S,U |
| 6 | 31465-ZB4-013 | RESISTOR COMP., VARIABLE..... | 1 | - | - | R,S,U |
| 7 | 31660-ZA0-801 | RELAY ASSY..... | 1 | - | - | R,S,U |
| 8 | 31661-ZA0-801 | SUSPENSION..... | 1 | - | - | R,S,U |
| 9 | 31710-893-003 | STACK ASSY., DIODE (2.7A)..... | 1 | - | - | R,S,U |
| 10 | 34908-GEO-701 | BULB, WEDGE BASE (12V 2W)..... | 3 | - | - | R,S,U |

① Address number

• Address number is provided (in place of the page No.) to help you refer to the part with the part No. or part name.

② Block title

③ Block number

④ Service item/Flat rate time

⑤ Reference number

• Title number marked with the parenthesis or parentheses indicates that it continues from the previous page.

⑥ Part number

⑦ HONDA color code

⑧ Description

⑨ Assemblies

• Sections framed with broken lines in the exploded view drawings are available as complete assemblies. (Their individual parts can also be obtained.)

⑩ Color description

⑪ Note

• Notes are shown with the parentheses in the part name column.

⑫ Required quantity

• Required QTY shown in the parenthesis or parentheses indicates the optional part.

• Required QTY marked with "N" Indicates the optional part that should be selected as needed.

• Required QTY indicates the number of the part used in the block.

⑬ Serial number

⑭ Type

• When the type column is blank, it indicates that the part is applicable to all types.

• As the type of the actual unit may differ from the "Parts catalogue, type" please refer to "Models, types and applicable serial numbers" for confirmation.

When the parts were revised



Be sure to check the serial number!!



| Ref. No. | Part No. | Description | Revd. QTY | | Serial No. |
|----------|---------------|-------------------------|------------------|------------------|------------|
| | | | EX 5500 K2 | ES 6500 K2 | |
| 1 | 11815-ZA0-930 | STAY, TIMING BELT..... | 1 | 1 | |
| 2 | 16011-ZA0-931 | VALVE SET, FLOAT..... | 1 | 1 | |
| 3 | 16013-ZA0-931 | FLOAT SET..... | 1 | 1 | |
| 4 | 16016-ZA0-931 | SCREW SET, PILOT..... | 1 | 1 | |
| | 16016-ZE0-005 | | 1 | 1 | 1002495 |
| 5 | 16023-ZA0-702 | CHAMBER SET, FLOAT..... | 1 | 1 | 1002494 |
| 6 | 16024-124-760 | SCREW SET, DRAIN..... | 1 | 1 | |
| 7 | 16028-ZA0-981 | SCREW SET..... | 1 | 1 | |

The number has been used from the initial model without revision.

When shown at the left side, it is applicable to the models of No.1002495 and the subsequent numbers.

When shown at the right side, it is applicable to the models up to No.1002494.

Abbreviations used in the parts catalogue

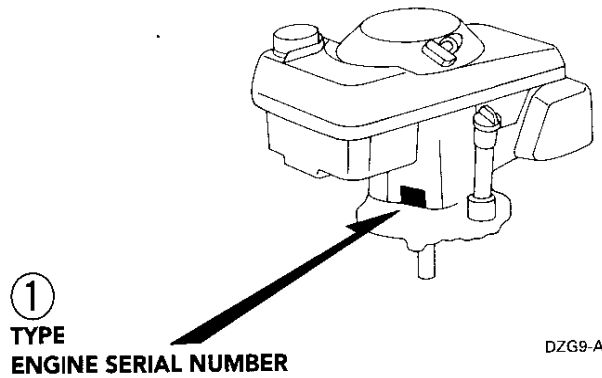
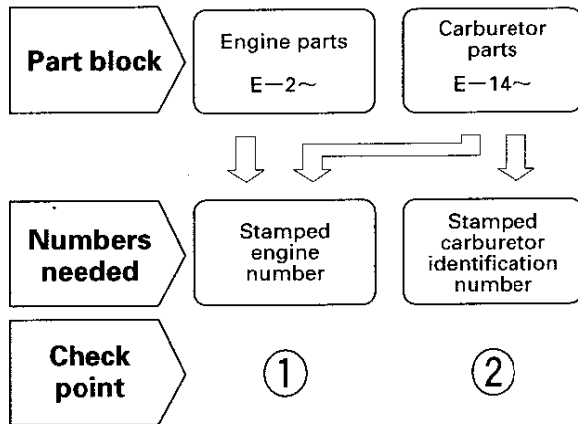
• The following abbreviations are used in the parts name column.

- ASSY. Assembly
- COMP. Complete
- R. Right
- L. Left
- STD. Standard
- MM Millimeter
- T (22T) Tooth (22 Teeth)
- A Ampere
- V Volt
- W Watt
- L (100L) Link (100 Links)

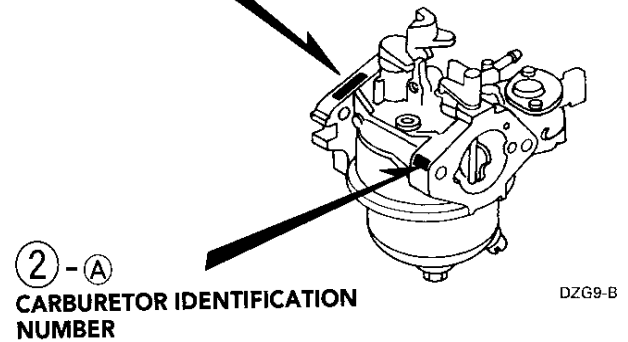
- A.C. Alternating current
- D.C. Direct current
- IN. Inlet
- EX. Exhaust
- FR. Front
- RR. Rear
- HEX. Hexagonal
- P.T.O. Power take off
- C.D.I. Capacitive discharge ignition
- G.F.C.I. Ground fault circuit interruptor

B 5

How to check the part block and serial numbers



②-B
CARBURETOR IDENTIFICATION
NUMBER



Models, types and applicable serial numbers

• Models, types and applicable serial Nos. given in this parts catalogue can be identified as follows.

| Model | Type | Parts catalogue type | Applicable engine serial No. | Applicable carburetor identification No. |
|--------------------|------|---|------------------------------|---|
| GXV140 (U.S.A.) | A1 | A1 | GJAB-6000001~7999999 | BE53A <u>A</u> / <u>B</u> / <u>C</u> / <u>D</u> |
| | A1B | A1B | | |
| | A1K | A1K | | |
| | A1K6 | A1K6 | GJAB-6000001~ | BE53A <u>B</u> / <u>C</u> / <u>D</u> |
| | A1Y | A1Y | | |
| | A2 | A2 | | |
| | A2C | A2C | GJAB-6000001~7999999 | BE53A <u>A</u> / <u>B</u> / <u>C</u> / <u>D</u> |
| | A2G | A2G | | |
| | A2Y | A2Y | | |
| | A2YC | A2YC | GJAB-6000001~7999999 | BE53A <u>C</u> / <u>D</u> |
| | MAH | MAH | GJAB-6000001~ | BE52B <u>B</u> / <u>C</u> |
| | MAJ | MAJ | | |
| | MAK | MAK | | |
| | N1 | N1 | | |
| | N1B | N1B | GJAB-6000001~7999999 | BE53A <u>A</u> / <u>B</u> / <u>C</u> / <u>D</u> |
| | N1GA | N1GA | GJAB-6000001~ | BE53A <u>B</u> / <u>C</u> / <u>D</u> |
| N1KA | N1KA | BE53A <u>A</u> / <u>B</u> / <u>C</u> / <u>D</u> | | |

| Model | Type | Parts catalogue type | Applicable engine serial No. | Applicable carburetor identification No. |
|--------------------|--------------------|----------------------|------------------------------|--|
| GXV140 (U.S.A.) | N1KC | N1KC | GJAB-6000001~7999999 | BE53A <u>C</u> / <u>D</u> |
| | N1S | N1S | | BE53A <u>A</u> / <u>B</u> / <u>C</u> / <u>D</u> |
| | N1SA | N1SA | | BE52B <u>B</u> / <u>C</u> |
| | N1U | N1U | GJAB-6000001~ | BE53A <u>A</u> / <u>B</u> / <u>C</u> / <u>D</u> |
| | N1Y | N1Y | | |
| | N2 | N2 | | |
| | N2C | N2C | GJAB-6000001~7999999 | BE53A <u>A</u> / <u>B</u> / <u>C</u> / <u>D</u> |
| | N2M | N2M | | |
| | N2TA | N2TA | | |
| | N2TB | N2TB | GJAB-6000001~ | BE53A <u>A</u> / <u>B</u> / <u>C</u> / <u>D</u> BE52B <u>B</u> / <u>C</u> |
| | N2V | N2V | | BE52B <u>B</u> / <u>C</u> |
| | N2Y | N2Y | | BE53A <u>A</u> / <u>B</u> / <u>C</u> / <u>D</u> |
| | GXV140 (France) | A11 | A11 | GJAB-8000001~ |
| A21 | | A21 | | |
| N21 | | N21 | | |

* Of carburetor identification numbers, only the portions underlined in the example below are used for registration.

BE 53A A NG ナ
(A) (B)

Features of each type

• See the following table for the features of each type.

| Specifications \ Model | | GXV140 | | | | | | | | | | | | | | | | |
|------------------------|--------------------|----------|----|-----|-----|------|-----|----|-----|-----|-----|------|-----|-----|-----|----|-----|------|
| | | (U.S.A.) | | | | | | | | | | | | | | | | |
| | | Type | A1 | A1B | A1K | A1K6 | A1Y | A2 | A2C | A2G | A2Y | A2YC | MAH | MAJ | MAK | N1 | N1B | N1GA |
| Crankshaft | 22.2 mm ø straight | ● | ● | ● | ● | ● | ● | ● | ● | ● | ● | | | | ● | ● | ● | ● |
| | M10 Stepped thread | | | | | | | | | | | ● | ● | ● | | | | |
| Flywheel brake | | ● | ● | ● | ● | ● | ● | ● | ● | ● | ● | | | | | | | |
| Engine stop switch | | ● | ● | ● | ● | ● | ● | ● | ● | ● | ● | ● | ● | ● | ● | ● | ● | ● |

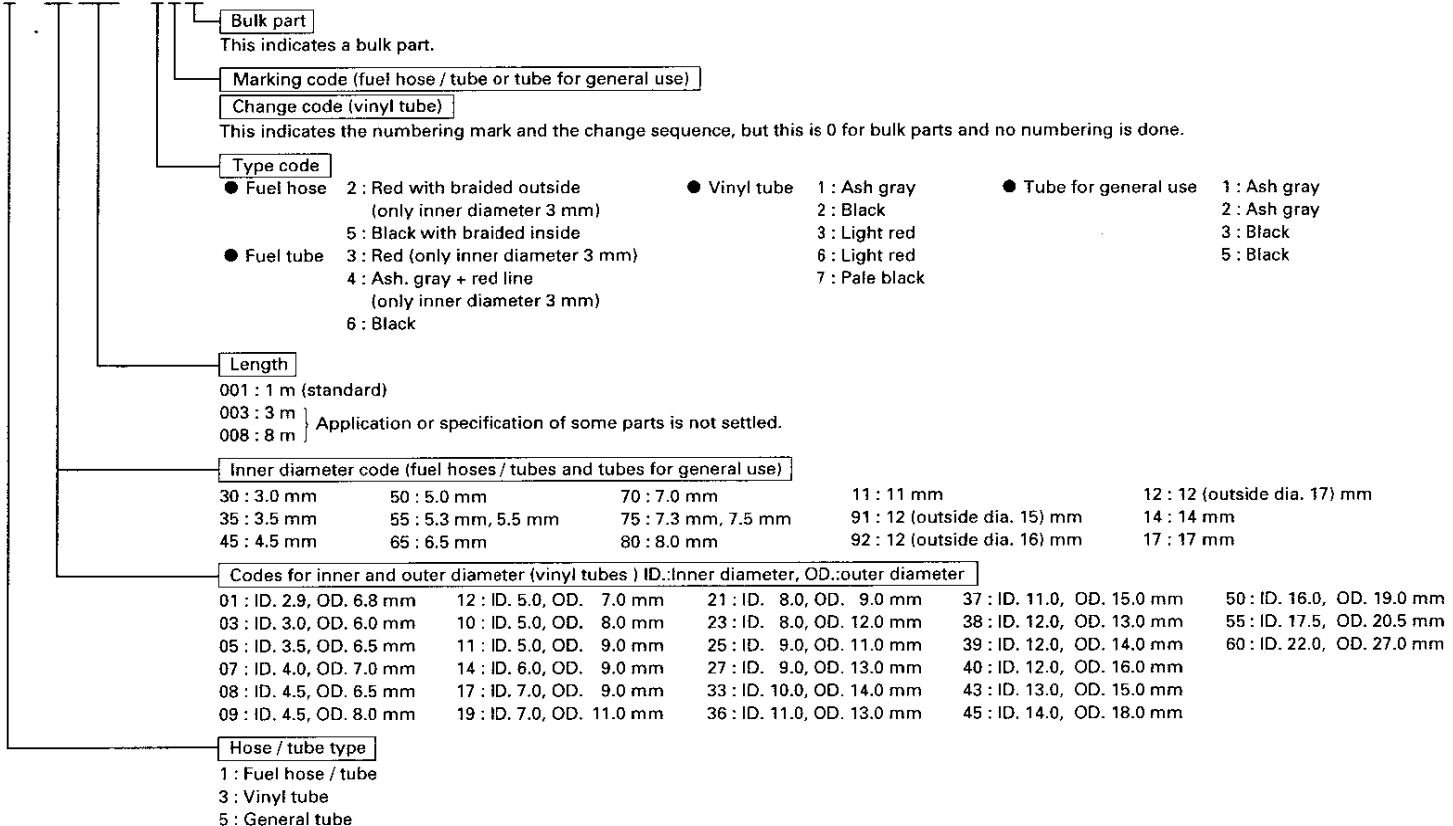
| Specifications \ Model | | GXV140 | | | | | | | | | | | | | (France) | | |
|------------------------|--------------------|----------|------|-----|------|-----|-----|----|-----|-----|------|------|-----|-----|----------|-----|-----|
| | | (U.S.A.) | | | | | | | | | | | | | | | |
| | | Type | N1KC | N1S | N1SA | N1U | N1Y | N2 | N2C | N2M | N2TA | N2TB | N2V | N2Y | A11 | A21 | N21 |
| Crankshaft | 22.2 mm ø straight | ● | ● | ● | ● | ● | ● | ● | ● | ● | ● | ● | ● | ● | ● | ● | |
| | M10 Stepped thread | | | | | | | | | | | | | | | | |
| Flywheel brake | | | | | | | | | | | | | | ● | ● | | |
| Engine stop switch | | ● | ● | ● | ● | ● | ● | ● | ● | ● | ● | ● | ● | ● | ● | ● | |

In regard to the use of fuel hoses / tubes, tubes for general use, and vinyl tubes

- Fuel hoses / tubes for standard parts, tubes for general use, and vinyl tubes are substituted by bulk parts in long rolls.
- When ordering fuel hoses / tubes for standard parts, tubes for general use, and vinyl tubes, please order after confirming the bulk parts No. listed in brackets under the part name in the text of the parts list.
- At the time of exchange, use the hoses / tubes cut to the correct length listed for the part name.
(Please refer to the service manual and the instructions enclosed with the bulk parts in regard to the cutting method for bulk parts, the entry method for numbers, etc.)

Composition of the bulk parts No. for fuel hoses / tubes, tubes for general use, and vinyl tubes.

Example: 95001 - 75001 - 50M



⊙ **CAUTION: Wrong use of fuel hoses / tubes, tubes for general use, and vinyl tubes may be dangerous.**
Never use tubes for general use or vinyl tubes at places where fuel hoses / tubes are to be used or vice versa. Use the bulk parts listed in the parts list correctly according to the service manual and the instructions enclosed with the bulk parts.

How to use the flat rate time (F.R.T.)

This F.R.T. (Flat Rate Time) is used to determine the standard labor time allowed for replacement of parts covered by the warranty during the period the warranty is in effect. The F.R.T. for those parts which are not listed herein should be determined from the operation closely related to the replacement of that part.

1. The F.R.T. is based on the following servicing conditions

- a. A liberal allowance is added to the net servicing time.
- b. Standard times specified are based on the condition that the necessary servicing tools listed in the service manual which describes the HONDA service policy are available close at hand and the work performed by a mechanic with normal skill.
- c. Time required for inspection and operational test following the servicing is included in the F.R.T.
- d. The F.R.T. for "•" marked parts are same as the F.R.T. for the representative part above.
- e. The F.R.T. shown with (*) includes engine removal and installation.

2. Method of computing

The job times are listed in tenth of an hour to simplify computation.

(Example) 0.3 = 18 minutes
 5.6 = 5 hours and 36 minutes

| CONVERSION CHART | | | |
|------------------|---------|-------|---------|
| Hours | Minutes | Hours | Minutes |
| 0.1 | 6 | 0.6 | 36 |
| 0.2 | 12 | 0.7 | 42 |
| 0.3 | 18 | 0.8 | 48 |
| 0.4 | 24 | 0.9 | 54 |
| 0.5 | 30 | 1.0 | 60 |

3. Computing the F.R.T.

When several jobs are performed at the same time, make the calculation in the following manner.

Parts and their F.R.T. described below are the sample and have no relation to the text.

a. Jobs of non duplicated nature

The F.R.T. for the job is obtained by totalling the F.R.T. for each part replaced.

(Example) Replacement of cylinder head gasket and carburetor.

| Service item | F.R.T. |
|----------------------|--------|
| Cylinder head gasket | 0.1 |
| Carburetor | 0.3 |

The F.R.T. for the job is: $0.1+0.3=0.4$

b. Jobs of duplicated nature

Take the F.R.T. for the last part to be replaced.

(Example) Replacement of piston and cylinder head gasket.

| Service item | F.R.T. |
|----------------------|--------|
| Cylinder head gasket | 0.1 |
| Piston | 1.5 |

The F.R.T. for the job is: 1.5

c. Jobs of partially related nature

Total up the F.R.T. for all of the parts replaced and then subtract the F.R.T. for the duplicated operation.

(Example) Replacement of valve, piston and cylinder head.

| Service item | F.R.T. |
|---------------|--------|
| Valve | 0.5 |
| Piston | 1.5 |
| Cylinder head | 0.1 |

The F.R.T. for the job is: $(0.5+1.5)-0.1=1.9$

Cylinder head is the duplicated operations.

4. Adjustment and cleaning

| Item | Service item | F.R.T. |
|------------|-----------------|--------|
| Adjustment | Tappets | 0.3 |
| | Carburetor | 0.2 |
| | Governor | 0.2 |
| Cleaning | Carburetor | 0.6 |
| | Air cleaner | 0.2 |
| | Arrester, spark | 0.2 |
| | Spark plug | 0.1 |

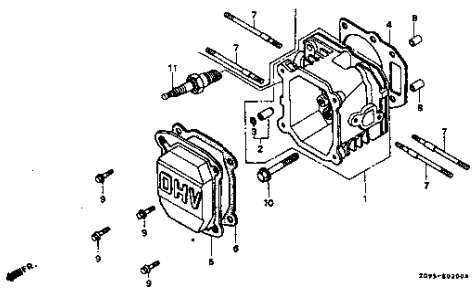
B 11

ENGINE GROUP

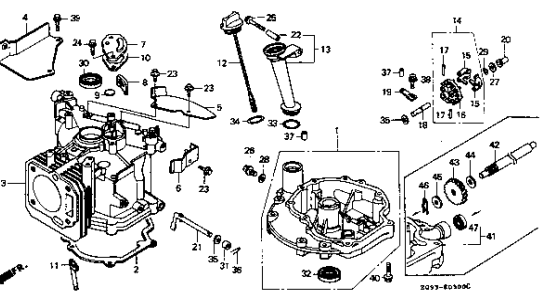
[E]

•Ref.No.on the index illustration may be different from that in the text.

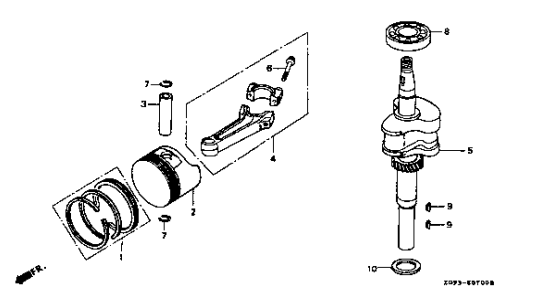
C 1 Cylinder head
E-2



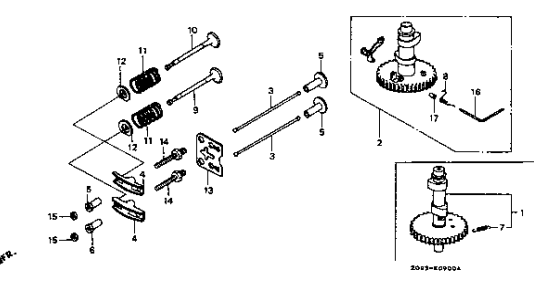
C 2 Cylinder barrel
E-3



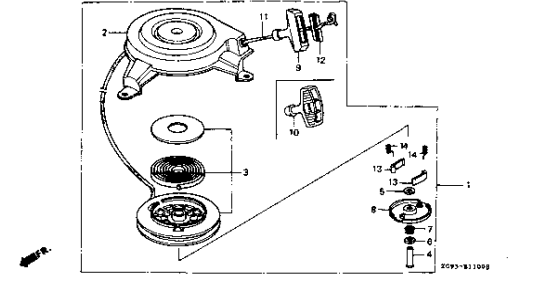
C 4 Crankshaft
E-7



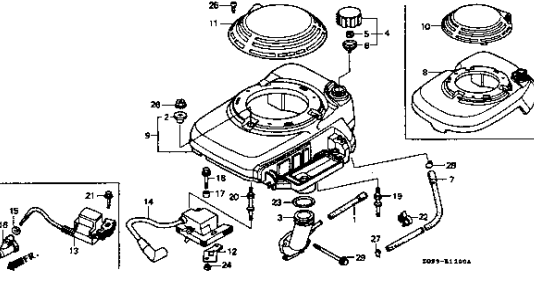
C 5 Camshaft
E-9



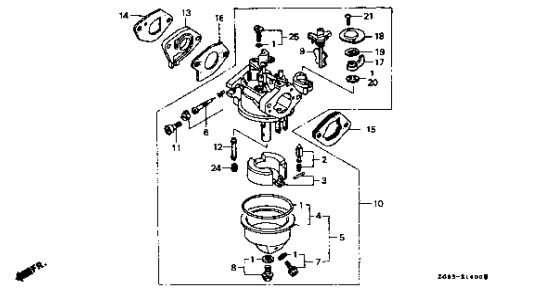
C 6 Recoil starter
E-11



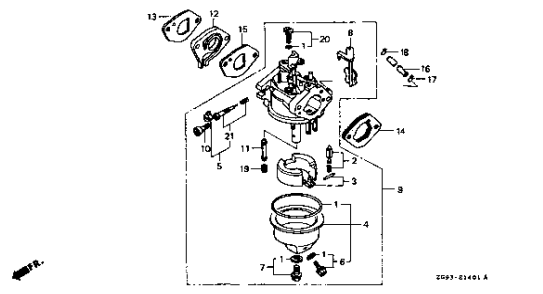
C 7 Fan cover
E-12



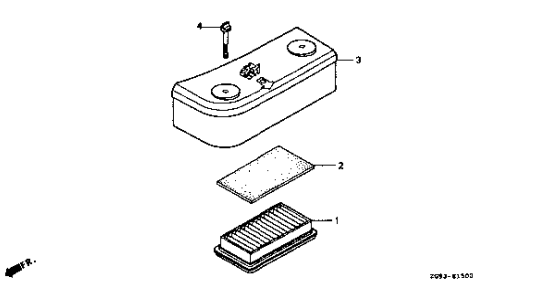
C10 Carburetor (1)
E-14



C13 Carburetor (2)
E-14-1



C16 Air cleaner (1)
E-15



2

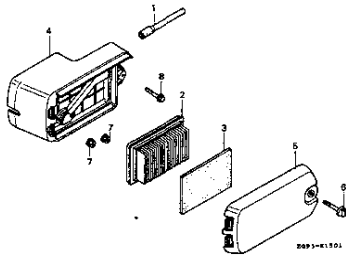
B 12**ENGINE GROUP**

[E]

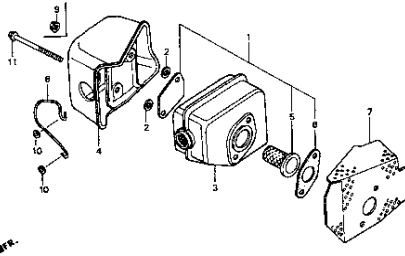
•Ref.No.on the index illustration may be different from that in the text.

D 1 Air cleaner (2)

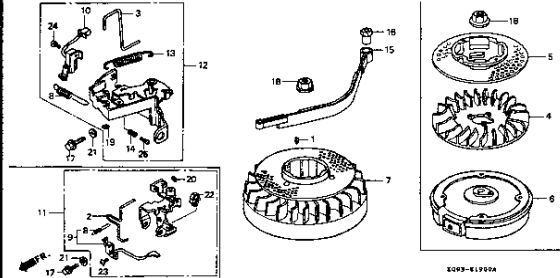
E-15-1

**D 2** Muffler

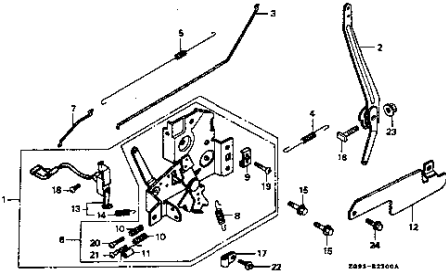
E-16

**D 3** Flywheel

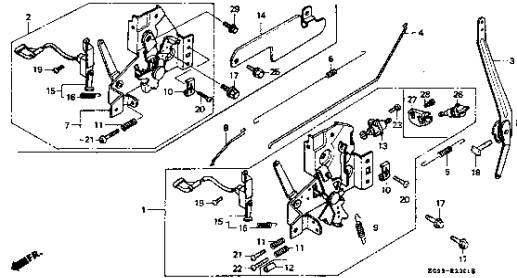
E-19

**D 5** Control (1)

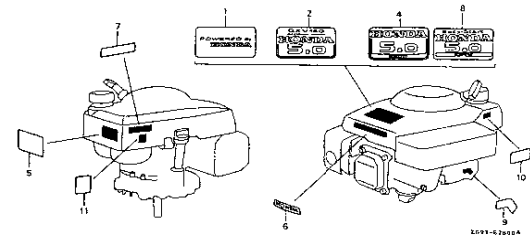
E-22

**D 8** Control (2)

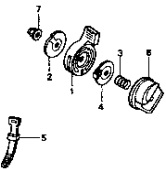
E-22-1

**D10** Label

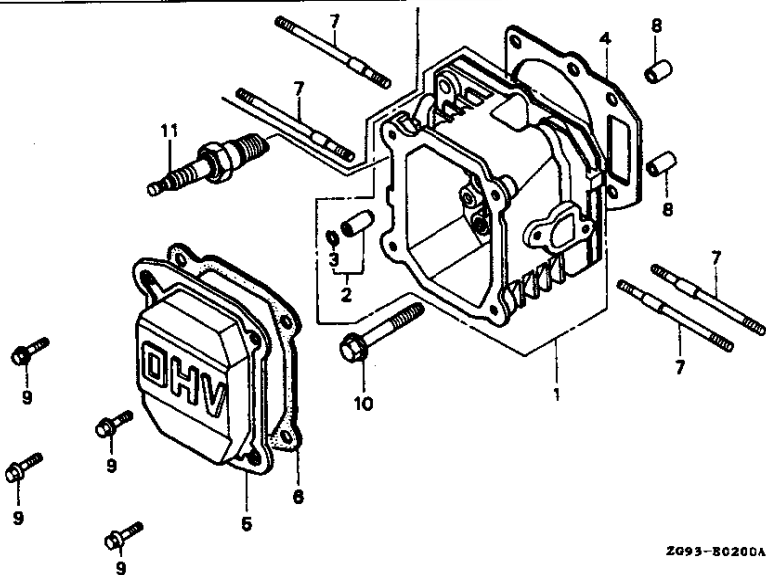
E-28

**D11** Throttle lever

E-40

**D12** Gasket kit

EOP-1



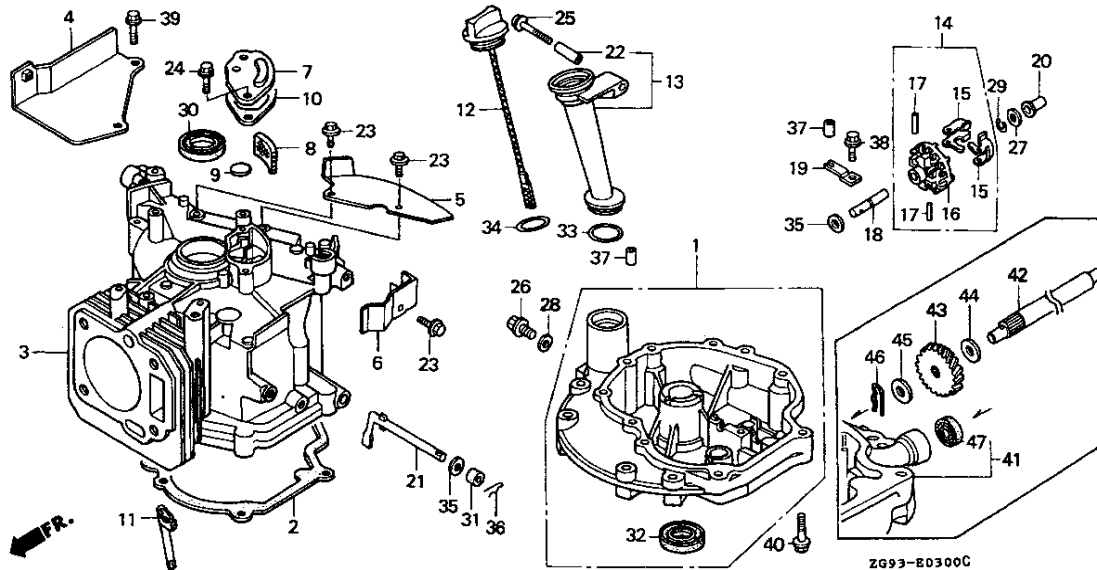
Z093-80200A

76112711A

| Service Item | F.R.T. |
|----------------------------|--------|
| HEAD COMP., CYLINDER..... | 1.0 |
| GUIDE, EX. VALVE..... | 0.8 |
| (ADD 0.2 FOR EACH.) | |
| GASKET, CYLINDER HEAD..... | 0.6 |
| COVER, HEAD..... | 0.1 |
| .PACKING, HEAD COVER | |
| .PLUG, SPARK | |
| FILTER, BREATHER..... | 0.2 |
| .BOLT, STUD, 6X83 | |
| (ADD 0.1 FOR EACH.) | |



| Ref. No. | Part No. | Description | Reqd. QTY | Serial No. | Type |
|----------|----------------|--------------------------------|-----------|------------|--|
| 1 | 12200-ZG9-800 | HEAD COMP., CYLINDER (USA).... | 1 1 | 6324985 | A1,A1B,A1K,A1K6,A1Y,A11,A2,A2C,A2G,A2Y,A21,N1,N1B,N1GA,N1KA,N1S,N1Y,N2,N2C,N2M,N2TA,N2TB,N2Y,N21 |
| | 12200-ZG9-P40 | | 1 1 | 6324986 | A1,A1B,A1K,A1K6,A1Y,A11,A2,A2C,A2G,A2Y,A21,N1,N1B,N1GA,N1KA,N1S,N1Y,N2,N2C,N2M,N2TA,N2TB,N2Y,N21 |
| | | | 1 - | | A2YC,MAH,MAJ,MAK,N1KC,N1SA,N1U,N2V |
| 2 | 12205-ZE1-315 | GUIDE, EX. VALVE (O.S.)..... | (1)(1) | | |
| 3 | 12216-ZE5-300 | CLIP, VALVE GUIDE..... | 1 1 | | |
| 4 | 12251-ZG9-000 | GASKET, CYLINDER HEAD..... | 1 1 | | |
| 5 | 12311-ZG9-800 | COVER, HEAD..... | 1 1 | | |
| 6 | 12391-ZE7-T00 | PACKING, HEAD COVER (HPE)..... | 1 - | | MAH,MAJ,N1SA |
| | 12391-ZG9-800 | PACKING, HEAD COVER..... | 1 1 | | A1,A1B,A1K,A1K6,A1Y,A11,A2,A2C,A2G,A2Y,A2YC,A21,MAK,N1,N1B,N1GA,N1KA,N1KC,N1S,N1U,N1Y,N2,N2C,N2M,N2TA,N2TB,N2V,N2Y,N21 |
| 7 | 90013-ZG9-T00 | BOLT, STUD, 6X83..... | 2 2 | | A1B,A1Y,A2C,A2Y,A2YC,MAH,MAJ,N1B,N1GA,N1S,N1SA,N1U,N1Y,N2C,N2V,N2Y,N21 |
| | | | 2 - | 7359879 | N2TA,N2TB |
| | | | - 4 | 8103697 | A11,A21 |
| | | | - 2 | 8103698 | A11,A21 |
| 8 | 94301-10160 | PIN, DOWEL, 10X16..... | 2 2 | | |
| 9 | 95701-06014-00 | BOLT, FLANGE, 6X14..... | 4 4 | | A1,A1K,A1K6,A11,A2,A2G,MAH,MAJ,MAK,N1,N1KA,N1KC,N1SA,N1U,N2,N2M,N2TA,N2TB,N2V,N21 |
| | | | 4 4 | 6839526 | A1B,A1Y,A2C,A2Y,A21,N1B,N1S,N1Y,N2C,N2Y |
| | 95701-06016-00 | BOLT, FLANGE, 6X16..... | 4 4 | 6839527 | A1B,A1Y,A2C,A2Y,A21,N1B,N1S,N1Y,N2C,N2Y |
| | | | 4 - | | A2YC,N1GA |
| 10 | 95701-08050-00 | BOLT, FLANGE, 8X50..... | 4 4 | | |
| 11 | 98079-54846 | PLUG, SPARK (BPR4ES NGK)..... | (1)(1) | | |
| | 98079-55846 | PLUG, SPARK (BPR5ES NGK)..... | 1 1 | | |
| | 98079-56846 | PLUG, SPARK (BPR6ES NGK)..... | (1)(1) | | |



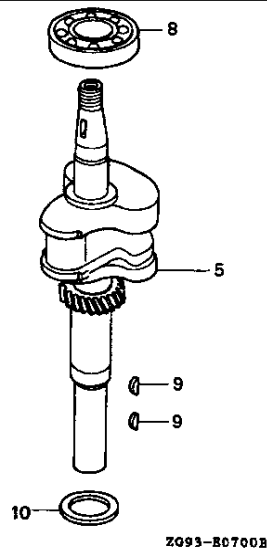
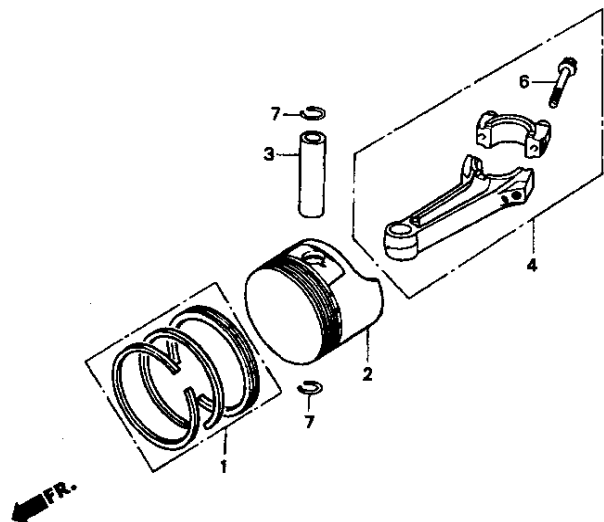
| Service Item | F.R.T. |
|--------------------------------|--------|
| PAN ASSY., OIL..... | 0.5 |
| PACKING, OIL PAN..... | 0.4 |
| BARREL COMP., CYLINDER..... | 1.6 |
| PACKING, BREATHER CHAMBER..... | 0.2 |
| .FILTER, BREATHER | |
| EXTENSION, OIL FILLER..... | 0.1 |
| .O-RING, 22.5X2.2 | |
| HOLDER, GOVERNOR WEIGHT..... | 0.6 |
| (INC. RELATIVE PART) | |
| .SLIDER, GOVERNOR | |
| .SHAFT, GOVERNOR ARM | |
| .OIL SEAL, 25X38X7 | |
| .SHAFT, DRIVE | |
| .GEAR, DRIVEN | |
| OIL SEAL, 22X35X6..... | 1.2 |

2

| Ref. No. | Part No. | Description | Reqd. QTY | Serial No. | Type |
|----------|---------------|--------------------------------|-----------|------------|---|
| 1 | 11300-ZG9-800 | PAN ASSY., OIL (USA-PUSH)..... | 1 1 | | A1,A1B,A1K,A1K6,A11,A2,A2C,A2G,A2YC,A21,MAH,N1,N1B,N1GA,N1S,N1SA,N1U,N1Y,N2,N2C,N2M,N2TA,N2TB,N2V,N2Y,N21 |
| | 11300-ZG9-U70 | PAN ASSY., OIL (KARCHER)..... | 1 - | 7170417 | A1Y,A2Y |
| | 11300-ZG9-V51 | PAN ASSY., OIL..... | 1 - | 7170418 | N1KA,N1KC |
| 2 | 11381-ZG9-T00 | PACKING, OIL PAN (HPE)..... | 1 1 | | A1Y,A2Y |
| 3 | 12100-ZG9-405 | BARREL COMP., CYLINDER (800).. | 1 1 | | |
| 4 | 12125-ZG9-000 | PLATE, GUIDE..... | 1 1 | | |
| 5 | 12126-ZG9-M30 | PLATE A, GUIDE..... | 1 1 | | |
| 6 | 12127-ZG9-800 | PLATE B, GUIDE..... | 1 - | | MAK,N1,N1B,N1GA,N1KA,N1KC,N1S,N1Y,N2,N2C,N2M,N2Y |
| 7 | 12360-ZE6-000 | CAP COMP., BREATHER CHAMBER... | 1 1 | 7359878 | N2TA,N2TB |
| 8 | 12367-ZE6-010 | FILTER, BREATHER..... | 1 1 | | |
| 9 | 12372-879-000 | VALVE, BREATHER..... | 1 1 | | |
| 10 | 12373-ZE6-000 | PACKING, BREATHER CHAMBER..... | 1 1 | | |
| 11 | 12385-ZE6-000 | PIPE, OIL DEFENSE..... | 1 1 | | |
| 12 | 15620-ZE6-810 | GAUGE COMP., OIL LEVEL..... | 1 1 | | |
| 13 | 15630-ZE6-810 | EXTENSION, OIL FILLER..... | 1 1 | | |
| 14 | 16510-ZE6-000 | GOVERNOR ASSY..... | 1 1 | | |
| 15 | 16511-ZE1-000 | WEIGHT, GOVERNOR..... | 2 2 | | |
| 16 | 16512-ZE6-000 | HOLDER, GOVERNOR WEIGHT..... | 1 1 | | |
| 17 | 16513-ZE1-000 | PIN, GOVERNOR WEIGHT..... | 2 2 | | |
| 18 | 16515-ZE6-000 | SHAFT, GOVERNOR HOLDER..... | 1 1 | | |
| 19 | 16525-ZE6-010 | PLATE, GOVERNOR SHAFT HOLDER.. | 1 1 | | |
| 20 | 16531-ZE1-000 | SLIDER, GOVERNOR..... | 1 1 | | |

| Ref. No. | Part No. | Description | Reqd. QTY | | Serial No. | Type |
|----------|----------------|--------------------------------|--------------------|---|------------|--|
| | | | GXV140 (USA) (FRN) | | | |
| 21 | 16541-ZE7-000 | SHAFT, GOVERNOR ARM..... | 1 | 1 | | |
| 22 | 17240-ZE6-000 | COLLAR, EXTENSION..... | 1 | 1 | | |
| 23 | 90013-883-000 | BOLT, FLANGE, 6X12 (CT200).... | 2 | 2 | ----- | A1,A1B,A1K,A1K6,A1Y,A11,A2,A2C,A2G,A2Y,A2YC,A21,MAH,MAJ,N1SA,N1U N2V,N21 |
| | | | 3 | - | ----- | MAK,N1,N1B,N1GA,N1KA,N1KC,N1S,N1Y,N2,N2C,N2M,N2Y |
| | | | 3 | - | 7359878 | N2TA,N2TB |
| | | | 2 | - | 7359879 | N2TA,N2TB |
| 24 | 90014-952-000 | BOLT, FLANGE, 6X14 (CT200).... | 2 | 2 | | |
| 25 | 90017-883-000 | BOLT, FLANGE, 6X32..... | 1 | 1 | | |
| 26 | 90131-ZE1-000 | BOLT, DRAIN PLUG..... | 1 | 1 | | |
| 27 | 90451-898-000 | WASHER, THRUST, 6MM..... | 1 | 1 | | |
| 28 | 90601-ZE1-000 | WASHER, DRAIN PLUG, 10.2MM.... | 1 | 1 | | |
| 29 | 90602-ZE1-000 | CLIP, GOVERNOR HOLDER..... | 1 | 1 | | |
| 30 | 91202-ZE6-003 | OIL SEAL, 22X35X6..... | 1 | 1 | | |
| 31 | 91231-891-003 | OIL SEAL, 6X11X4..... | 1 | 1 | | |
| 32 | 91252-888-003 | OIL SEAL, 25X38X7 (ARAI)..... | 1 | 1 | ----- | A1,A1B,A1K,A1K6,A1Y,A11,A2,A2C,A2G,A2Y,A2YC,A21,MAH,MAJ,N1,N1B N1GA,N1S,N1SA,N1U,N1Y,N2,N2C,N2M,N2TA,N2TB,N2V,N2Y,N21 |
| | 91201-ZG9-U71 | OIL SEAL, 25X38X7..... | 1 | - | ----- | MAK,N1KA,N1KC |
| 33 | 91301-ZE9-003 | O-RING, 22.5X2.2..... | 1 | 1 | | |
| 34 | 91301-805-000 | O-RING, 26X2.7..... | 1 | 1 | | |
| 35 | 94101-06800 | WASHER, PLAIN, 6MM..... | 2 | 2 | | |
| 36 | 94251-08000 | PIN, LOCK, 8MM..... | 1 | 1 | | |
| 37 | 94301-08140 | PIN, DOWEL, 8X14..... | 2 | 2 | | |
| 38 | 95701-06012-08 | BOLT, FLANGE, 6X12..... | 1 | 1 | | |
| 39 | 95701-06020-00 | BOLT, FLANGE, 6X20..... | 2 | 2 | | |
| 40 | 95701-06028-00 | BOLT, FLANGE, 6X28..... | 7 | 7 | | |
| 41 | 11300-ZG9-N20 | PAN ASSY., OIL (USA-SELF)..... | 1 | - | ----- | MAJ |
| | 11300-ZG9-S00 | | 1 | - | ----- | MAK |
| 42 | 23411-ZE6-000 | SHAFT, DRIVE..... | 1 | - | ----- | MAJ,MAK |
| 43 | 23421-ZE6-000 | GEAR, DRIVEN (18T)..... | 1 | - | ----- | MAJ,MAK |
| 44 | 90452-166-600 | WASHER, THRUST, 12MM..... | 1 | - | ----- | MAJ,MAK |
| 45 | 90452-187-000 | WASHER, 10X21..... | 1 | - | ----- | MAJ,MAK |
| 46 | 90701-ZE6-000 | PIN, LOCK, 2.0..... | 1 | - | ----- | MAJ,MAK |
| 47 | 91205-KFD-003 | OIL SEAL, 12X20X5 (ARAI)..... | 1 | - | ----- | MAJ,MAK |

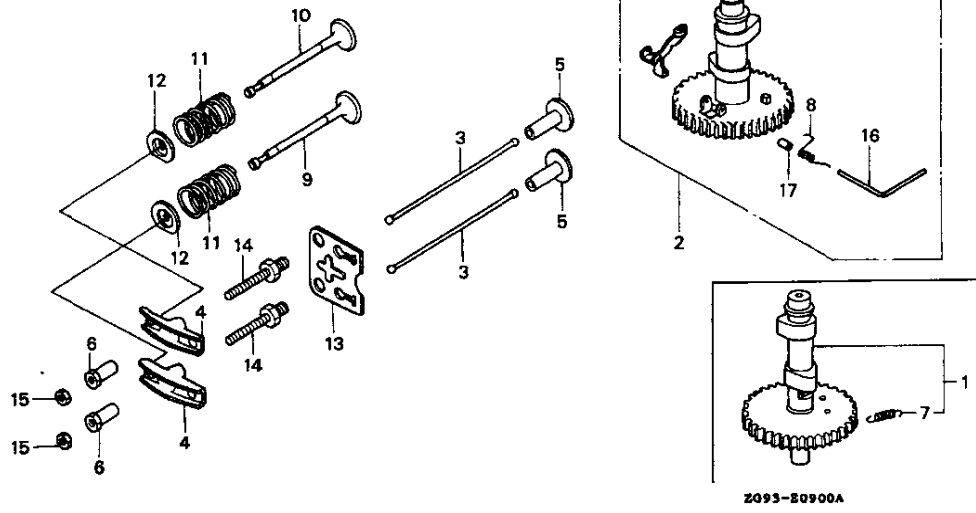
2



| Service Item | F.R.T. |
|---------------------------------|--------|
| RING SET, PISTON..... | 1.2 |
| .PISTON | |
| ROD ASSY., CONNECTING..... | 1.1 |
| .CRANKSHAFT COMP. | |
| BEARING, RADIAL BALL, 62/22.... | 1.3 |

ZG93-807003

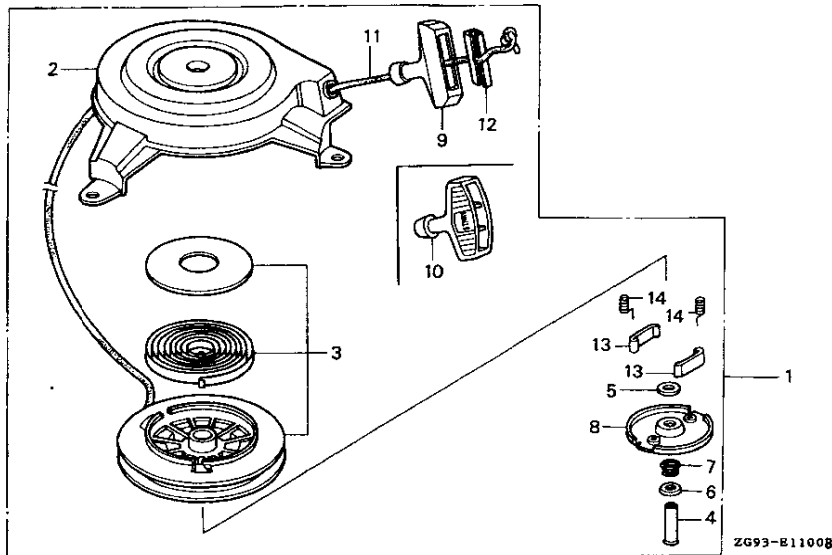
| Ref. No. | Part No. | Description | Reqd. QTY | | Serial No. | Type |
|----------|---------------|---------------------------------|--------------------|-----|------------|--|
| | | | GXV140 (USA) (FRN) | | | |
| 1 | 13010-ZG9-003 | RING SET, PISTON (STD.)..... | 1 | 1 | | |
| | 13010-ZG9-004 | | 1 | 1 | | |
| | 13011-ZG9-003 | RING SET, PISTON (0.25)..... | (1) | (1) | | |
| | 13011-ZG9-004 | | (1) | (1) | | |
| | 13012-ZG9-003 | RING SET, PISTON (0.50)..... | (1) | (1) | | |
| | 13012-ZG9-004 | | (1) | (1) | | |
| | 13013-ZG9-003 | RING SET, PISTON (0.75)..... | (1) | (1) | | |
| | 13013-ZG9-004 | | (1) | (1) | | |
| | 13010-ZG9-T00 | RING SET, PISTON (STD.)..... | - | 1 | | |
| | 13011-ZG9-T00 | RING SET, PISTON (0.25)..... | - | (1) | | |
| | 13012-ZG9-T00 | RING SET, PISTON (0.50)..... | - | (1) | | |
| | 13013-ZG9-T00 | RING SET, PISTON (0.75)..... | - | (1) | | |
| 2 | 13101-ZG9-000 | PISTON (STD.)..... | 1 | 1 | | |
| | 13102-ZG9-000 | PISTON (0.25)..... | (1) | (1) | | |
| | 13103-ZG9-000 | PISTON (0.50)..... | (1) | (1) | | |
| | 13104-ZG9-000 | PISTON (0.75)..... | (1) | (1) | | |
| 3 | 13111-ZE0-000 | PIN, PISTON..... | 1 | 1 | | |
| 4 | 13200-ZE6-010 | ROD ASSY., CONNECTING..... | 1 | 1 | | |
| 5 | 13310-ZG9-800 | CRANKSHAFT COMP..... | 1 | 1 | ----- | A1, A1B, A1K, A1K6, A1Y, A11, N1, N1B, N1GA, N1S, N1SA, N1U, N1Y |
| | 13310-ZG9-810 | | 1 | 1 | ----- | A2, A2C, A2G, A2Y, A2YC, A21, N2, N2C, N2M, N2TA, N2TB, N2Y, N21 |
| | 13310-ZG9-U70 | CRANKSHAFT COMP. (KARCHER)..... | 1 | - | ----- | N1KA, N1KC |
| | 13310-ZG9-M10 | CRANKSHAFT COMP..... | 1 | - | ----- | MAH, MAJ, MAK |
| | 13310-ZG9-V91 | CRANKSHAFT COMP. (VICTA)..... | 1 | - | ----- | N2V |
| 6 | 90001-ZE1-000 | BOLT, CONNECTING ROD..... | 2 | 2 | | |
| 7 | 90551-ZE0-000 | CLIP, PISTON PIN, 13MM..... | 2 | 2 | | |
| 8 | 91001-878-003 | BEARING, RADIAL BALL, 62/22.... | 1 | 1 | | |
| 9 | 94401-16150 | KEY, WOODRUFF, 16X15..... | 2 | 1 | ----- | A1B, A11, A2C, A2G, A21, N1B, N1S, N2C, N2M, N21 |
| 10 | 90459-357-000 | WASHER C, THRUST, 25MM..... | 1 | - | ----- | MAJ, MAK |



| Service Item | F.R.T. |
|---------------------|--------|
| CAMSHAFT ASSY..... | 0.6 |
| LIFTER, VALVE | |
| ROD, PUSH..... | 0.2 |
| ARM, VALVE ROCKER | |
| VALVE, IN..... | 0.7 |
| (ADD 0.1 FOR EACH.) | |
| BOLT, PIVOT..... | 0.3 |
| (ADD 0.1 FOR EACH.) | |

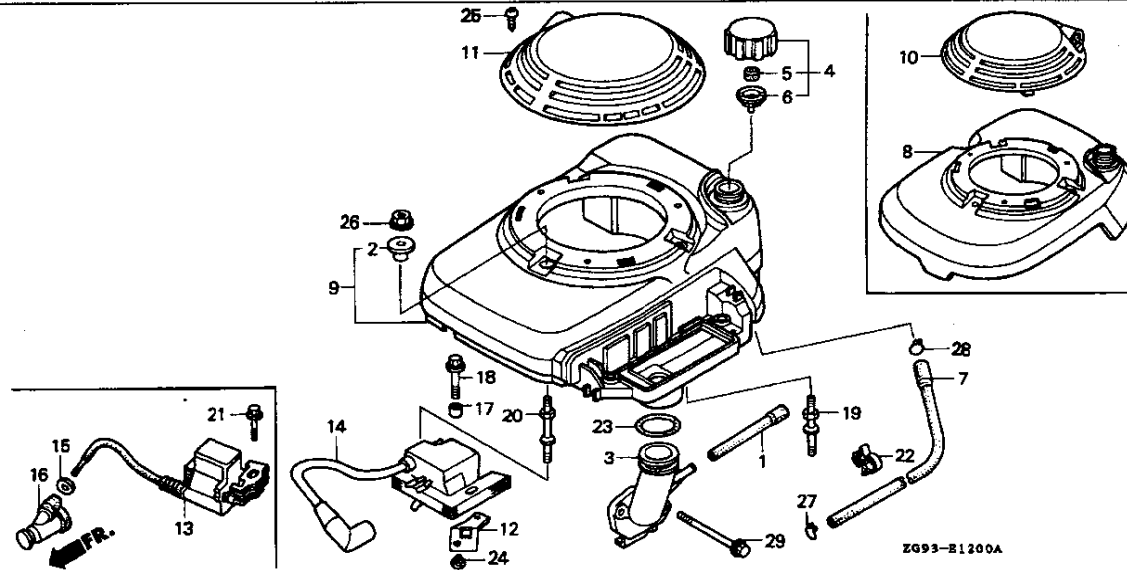
2

| Ref. No. | Part No. | Description | Reqd. QTY | Serial No. | Type |
|----------|--------------------------------|-----------------------------|-----------|------------|--|
| 1 | 14100-ZE6-W00 14100-ZE6-772 | CAMSHAFT ASSY..... | 1 - | ----- | N2TA,N2TB MAJ,MAK |
| 2 | 14100-ZG9-800 | CAMSHAFT ASSY..... | 1 1 | ----- | A1,A1B,A1K,A1K6,A1Y,A11,A2,A2C,A2G,A2Y,A2YC,A21,MAH,N1,N1B,N1GA N1KA,N1KC,N1S,N1SA,N1U,N1Y,N2,N2C,N2M,N2V,N2Y,N21 |
| 3 | 14410-ZE0-010 | ROD, PUSH..... | 2 2 | ----- | |
| 4 | 14431-ZE1-000 | ARM, VALVE ROCKER..... | 2 2 | ----- | |
| 5 | 14441-ZE1-010 | LIFTER, VALVE..... | 2 2 | ----- | |
| 6 | 14451-ZE1-013 | PIVOT, ROCKER ARM..... | 2 2 | ----- | |
| 7 | 14568-ZE1-000 | SPRING, WEIGHT RETURN..... | 1 - | ----- | MAJ,MAK,N2TA,N2TB |
| 8 | 14568-ZG9-800 | SPRING, WEIGHT RETURN..... | 1 1 | ----- | A1,A1B,A1K,A1K6,A1Y,A11,A2,A2C,A2G,A2Y,A2YC,A21,MAH,N1,N1B,N1GA N1KA,N1KC,N1S,N1SA,N1U,N1Y,N2,N2C,N2M,N2V,N2Y,N21 |
| 9 | 14711-ZG9-801 | VALVE, IN..... | 1 - | ----- | N1KA |
| | 14711-ZG9-810 | | 1 1 | ----- | |
| 10 | 14721-ZG9-801 | VALVE, EX..... | 1 - | ----- | N1KA |
| | 14721-ZG9-810 | | 1 1 | ----- | |
| 11 | 14751-ZF1-000 | SPRING, VALVE..... | 2 2 | ----- | A1,A1B,A1K,A1K6,A1Y,A11,A2,A2C,A2G,A2Y,A2YC,A21,MAH,N1,N1B,N1GA N1KA,N1KC,N1S,N1SA,N1U,N1Y,N2,N2C,N2M,N2TA,N2TB,N2V,N2Y,N21 |
| | 14751-ZE1-000 | | 2 - | ----- | MAJ,MAK |
| 12 | 14771-ZE1-T01 | RETAINER, VALVE SPRING..... | 2 2 | ----- | |
| 13 | 14791-ZE0-010 | PLATE, PUSH ROD GUIDE..... | 1 1 | ----- | |
| 14 | 90012-ZE0-010 | BOLT, PIVOT (8MM)..... | 2 2 | ----- | |
| 15 | 90206-ZE1-000 | NUT, PIVOT ADJUSTING..... | 2 2 | ----- | |
| 16 | 90701-ZG9-800 | PIN, WEIGHT CENTER..... | 1 1 | ----- | A1,A1B,A1K,A1K6,A1Y,A11,A2,A2C,A2G,A2Y,A2YC,A21,MAH,N1,N1B,N1GA N1KA,N1KC,N1S,N1SA,N1U,N1Y,N2,N2C,N2M,N2V,N2Y,N21 |
| 17 | 91502-ZG9-800 | COLLAR, WEIGHT CENTER..... | 1 1 | ----- | A1,A1B,A1K,A1K6,A1Y,A11,A2,A2C,A2G,A2Y,A2YC,A21,MAH,N1,N1B,N1GA N1KA,N1KC,N1S,N1SA,N1U,N1Y,N2,N2C,N2M,N2V,N2Y,N21 |



| Service Item | F.R.T. |
|----------------------------|--------|
| STARTER ASSY., RECOIL..... | 0.1 |
| .HANDLE | |
| .DOG | |
| .SPRING, DOG | |
| PULLEY & SPRING ASSY..... | 0.3 |
| .ROPE, RECOIL STARTER | |

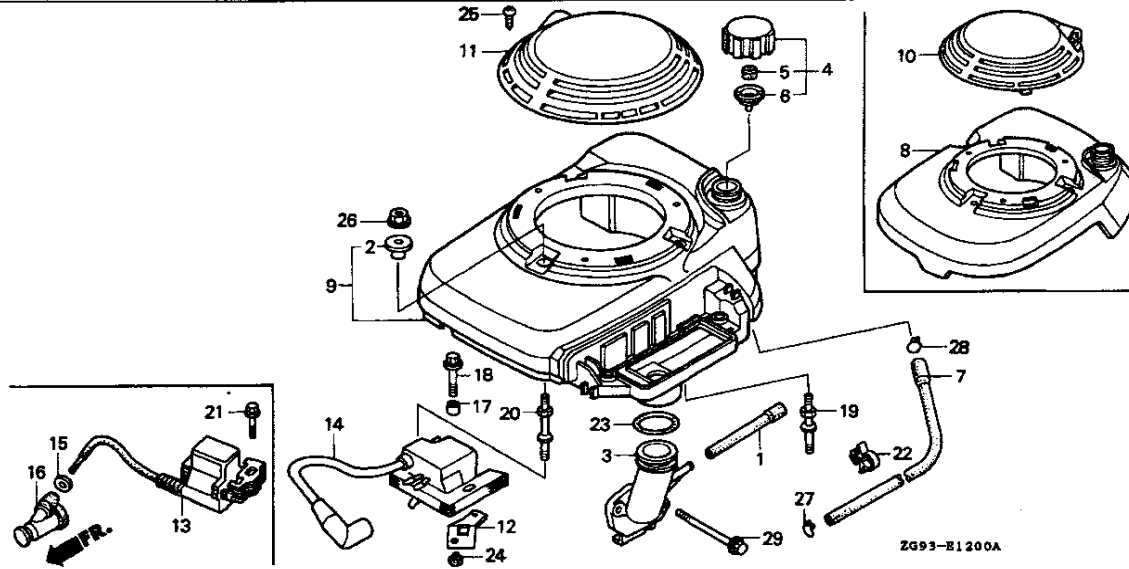
| Ref. No. | Part No. | Description | Reqd. QTY | | Serial No. | Type |
|----------|---------------|----------------------------|--------------|-------|------------|------|
| | | | GXV140 (USA) | (FRN) | | |
| 1 | 28400-ZG9-N11 | STARTER ASSY., RECOIL..... | - | 1 | | |
| | 28400-ZG9-803 | | 1 | - | | |
| 2 | 28402-ZG9-802 | HOUSING ASSY..... | 1 | 1 | | |
| 3 | 28415-ZG9-802 | PULLEY & SPRING ASSY..... | 1 | 1 | | |
| 4 | 28419-ZG9-802 | PIN, CENTER..... | 1 | 1 | | |
| 5 | 28431-ZG9-802 | PLATE A, FRICTION..... | 1 | 1 | | |
| 6 | 28432-ZG9-802 | PLATE B, FRICTION..... | 1 | 1 | | |
| 7 | 28441-ZG9-802 | SPRING, FRICTION..... | 1 | 1 | | |
| 8 | 28444-ZG9-802 | RETAINER..... | 1 | 1 | | |
| 9 | 28461-ZE6-T02 | HANDLE..... | 1 | - | | |
| 10 | 28461-ZE7-T00 | GRIP, STARTER..... | - | 1 | | |
| 11 | 28462-ZG9-802 | ROPE, RECOIL STARTER..... | 1 | 1 | | |
| 12 | 28463-ZE6-T02 | HANDLE, REINFORCEMENT..... | 1 | - | | |
| 13 | 28485-ZE6-T02 | DOG..... | 2 | 2 | | |
| 14 | 28486-ZE6-T02 | SPRING, DOG..... | 2 | 2 | | |



| Service Item | F.R.T. |
|-------------------------------|--------|
| ELBOW COMP., AIR CLEANER..... | 0.1 |
| .PACKING, FUEL CAP | |
| .HOOD, FAN COVER | |
| .O-RING, 33.3X3.5 | |
| TUBE, FUEL TANK..... | 0.2 |
| .COVER COMP., FAN | |
| .BOLT, STUD | |
| (ADD 0.1 FOR EACH-) | |
| COIL ASSY., IGNITION..... | 0.3 |

2

| Ref. No. | Part No. | Description | Reqd. QTY | Serial No. | Type |
|----------|-----------------|-------------------------------------|-----------|------------|---|
| 1 | 15721-ZE6-010 | TUBE, BREATHER (180MM)..... | 1 | ----- | A1,A1B,A1K,A1K6,A1Y,A2,A2C,A2G,A2Y,A2YC,MAK,N1,N1B,N1GA,N1KA,N1KC N1S,N1Y,N2,N2C,N2M,N2Y |
| 2 | 17216-PE2-003 | COLLAR, AIR CLEANER..... | 3 | 7359878 | N2TA,N2TB |
| 3 | 17410-ZG9-800 | ELBOW COMP., AIR CLEANER..... | 1 | ----- | A1,A1B,A1K,A1K6,A1Y,A2,A2C,A2G,A2Y,A2YC,MAK,N1,N1B,N1GA,N1KA,N1KC N1S,N1Y,N2,N2C,N2M,N2Y |
| 4 | 17620-ZG9-000 | CAP ASSY., FUEL TANK..... | 1 | 7359878 | N2TA,N2TB |
| 5 | 17622-888-010 | SPONGE, FUEL CAP BREATHER..... | 1 | ----- | |
| 6 | 17624-ZE7-000 | PACKING, FUEL CAP..... | 1 | ----- | |
| 7 | 17701-ZG9-800 | TUBE, FUEL TANK (280MM)..... | 1 | ----- | A1,A1B,A1K,A1K6,A1Y,A2,A2C,A2G,A2Y,A2YC,MAK,N1,N1B,N1GA,N1KA,N1KC N1S,N1Y,N2,N2C,N2M,N2Y |
| | 17522-ZG9-M00 | TUBE, FUEL TANK..... | 1 | 7359878 | N2TA,N2TB |
| | | | 1 | 8248059 | A11,A21 |
| | | | 1 | ----- | N21 |
| | 17522-ZG9-M10 | TUBE, FUEL TANK (135MM)..... | 1 | ----- | MAH,MAJ,N1SA,N1U,N2V |
| | | | 1 | 7359879 | N2TA,N2TB |
| | | | 1 | 8248060 | A11,A21 |
| | | | 1 | ----- | N21 |
| 8 | 19610-ZG9-P30 | COVER COMP., FAN..... | 1 | ----- | A11,A21 |
| | 19610-ZG9-M90 | | 1 | ----- | MAH,MAJ,N1SA |
| | 19610-ZG9-M70 | | 1 | 7359879 | N2TA,N2TB |
| | | | 1 | ----- | N1U,N2V |
| 9 | 19610-ZG9-V40 | | 1 | ----- | |
| | 19610-ZG9-800ZA | COVER COMP., FAN *NH1*.....BLACK | 1 | 7559971 | A1,A1K,A1K6,A1Y,A2,A2C,A2Y,MAK,N1,N1GA,N1KA,N1S,N1Y,N2,N2C,N2M N2Y |
| | 19610-ZG9-800ZC | *R8*.....BRIGHT RED | 1 | 7459971 | A1,A1K6,A1Y,A2,A2G,A2Y,A2YC,MAK,N1,N1KC,N1Y,N2,N2Y |
| | | | 1 | 7359878 | N2TA,N2TB |



Service Item F.R.T.

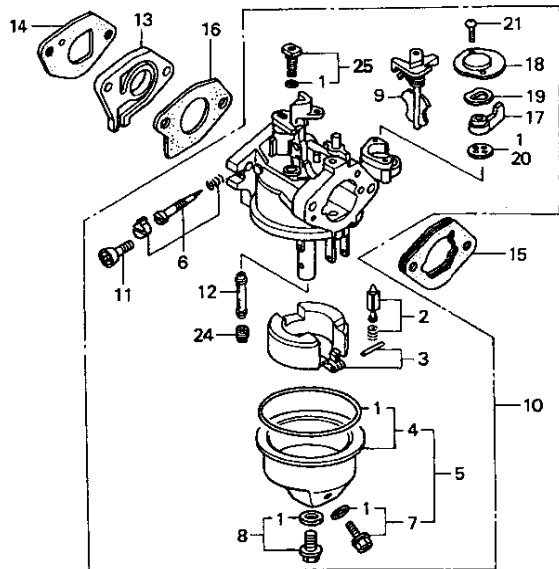
ZG93-B1200A

ZG12E1211A

| Ref. No. | Part No. | Description | Reqd. QTY | | Serial No. | Type |
|----------|-----------------|-------------------------------------|--------------------|---|------------|--|
| | | | GXV140 (USA) (FRN) | | | |
| (9) | 19610-ZG9-800ZD | COVER COMP., FAN | | | | |
| | | *T50*.....BRILL RED | 1 | - | 7459971 | A1B,N1B |
| | 19610-ZG9-800ZE | *NH164*.....GRIP GRAY | 1 | - | 7459971 | A2Y |
| | 19610-ZG9-801ZA | *NH1*.....BLACK | 1 | - | 7559972 | A1,A1K,A1K6,A1Y,A2,A2C,A2Y,MAK,N1,N1GA,N1KA,N1S,N1Y,N2,N2C,N2M,N2Y |
| | 19610-ZG9-801ZC | *R8*.....BRIGHT RED | 1 | - | 7459972 | A1,A1K6,A1Y,A2,A2G,A2Y,A2YC,MAK,N1,N1KC,N1Y,N2,N2Y |
| | 19610-ZG9-801ZD | *T50*.....BRILL RED | 1 | - | 7459972 | A1B,N1B |
| | 19610-ZG9-801ZE | *NH164*.....GRIP GRAY | 1 | - | 7459972 | A2Y |
| 10 | 19615-ZG9-M00 | HOOD, FAN COVER (GLOSSY FINISH) | 1 | 1 | | A11,A21,MAH,MAJ,N1SA,N21 |
| | | | 1 | - | 7359879 | N2TA,N2TB |
| | 19615-ZG9-V40 | HOOD, FAN COVER..... | 1 | - | | N1U,N2V |
| 11 | 19615-ZG9-800ZB | HOOD, FAN COVER (GRAINED FINISH) | | | | |
| | | *R8*.....BRIGHT RED | 1 | - | 7359878 | N2TA,N2TB |
| | 19615-ZG9-801ZA | *NH1*.....BLACK | 1 | - | | A1,A1K,A1K6,A1Y,A2,A2C,A2Y,MAK,N1,N1GA,N1KA,N1S,N1Y,N2,N2C,N2M,N2Y |
| | 19615-ZG9-801ZB | *R8*.....BRIGHT RED | 1 | - | | A1,A1K6,A1Y,A2,A2G,A2Y,A2YC,MAK,N1,N1KC,N1Y,N2,N2Y |
| | 19615-ZG9-801ZC | *T50*.....BRILL RED | 1 | - | | A1B,N1B |
| | 19615-ZG9-801ZD | *NH164*.....GRIP GRAY | 1 | - | | A2Y |
| 12 | 19616-ZG9-M90 | GUIDE, FAN COVER..... | - | 1 | | |
| 13 | 30500-ZG9-M02 | COIL ASSY., IGNITION..... | 1 | - | | N1GA,N1KA,N1KC |
| 14 | 30500-ZG9-801 | COIL ASSY., IGNITION..... | 1 | 1 | | A1,A1B,A1K,A1K6,A1Y,A11,A2,A2C,A2G,A2Y,A2YC,A21,MAH,MAJ,MAK,N1,N1B,N1S,N1SA,N1U,N1Y,N2,N2C,N2M,N2TA,N2TB,N2V,N2Y,N21 |
| 15 | 30505-ZE6-000 | GROMMET, HIGH TENSION CORD.... | 1 | - | | N1GA,N1KA,N1KC |
| 16 | 30700-ZE6-023 | CAP ASSY., NOISE SUPPRESSOR... | 1 | - | | N1GA,N1KA,N1KC |

| Ref. No. | Part No. | Description | Reqd. QTY | | Serial No. | Type |
|----------|----------------|--------------------------------|--------------|-----|------------|--|
| | | | 6XV140 (USA) | FRN | | |
| 17 | 75133-960-000 | COLLAR, ROTO-STOP..... | 2 | 2 | ----- | A1,A1B,A1K,A1K6,A1Y,A11,A2,A2C,A2G,A2Y,A2YC,A21,MAH,MAJ,MAK,N1 N1B,N1S,N1SA,N1U,N1Y,N2,N2C,N2M,N2TA,N2TB,N2V,N2Y,N21 |
| 18 | 90017-883-000 | BOLT, FLANGE, 6X32..... | 1 | 1 | ----- | A1,A1B,A1K,A1K6,A1Y,A11,A2,A2C,A2G,A2Y,A2YC,A21,MAH,MAJ,MAK,N1 N1B,N1S,N1SA,N1U,N1Y,N2,N2C,N2M,N2TA,N2TB,N2V,N2Y,N21 |
| 19 | 90041-ZG9-M00 | BOLT, STUD (A)..... | 2 | 2 | ----- | MAH,MAJ,MAK,N1,N1B,N1GA,N1KA,N1KC,N1S,N1SA,N1U,N1Y,N2,N2C,N2M N2TA,N2TB,N2V,N2Y,N21 |
| 20 | 90041-ZG9-800 | BOLT, STUD (BRAKE)..... | 2 | 2 | ----- | A1,A1B,A1K,A1K6,A1Y,A11,A2,A2C,A2G,A2Y,A2YC,A21 |
| | 90042-ZG9-M00 | BOLT, STUD (B)..... | 1 | - | ----- | N1GA,N1KA,N1KC |
| | 90042-ZG9-800 | BOLT, STUD (C)..... | 1 | 1 | ----- | A1,A1B,A1K,A1K6,A1Y,A11,A2,A2C,A2G,A2Y,A2YC,A21,MAH,MAJ,MAK,N1 N1B,N1S,N1SA,N1U,N1Y,N2,N2C,N2M,N2TA,N2TB,N2V,N2Y,N21 |
| 21 | 90121-952-000 | BOLT, FLANGE, 6X25..... | 1 | - | ----- | N1GA,N1KA,N1KC |
| 22 | 90682-959-661 | CLIP B, CABLE..... | 1 | 1 | ----- | |
| 23 | 91301-ZG9-800 | O-RING, 33.3X3.5..... | 1 | - | ----- | A1,A1B,A1K,A1K6,A1Y,A2,A2C,A2G,A2Y,A2YC,MAK,N1,N1B,N1GA,N1KA,N1KC N1S,N1Y,N2,N2C,N2M,N2Y |
| 24 | 91643-SJ8-000 | GROMMET, DEFOGGER CORD (15MM). | - | 1 | 7359878 | N2TA,N2TB |
| | 93913-24580 | SCREW, TAPPING, 4X20..... | 1 | 1 | ----- | |
| 26 | 94050-06000 | NUT, FLANGE, 6MM..... | 3 | 3 | ----- | |
| 27 | 95002-02100 | CLIP, TUBE (B8)..... | 1 | - | 7359878 | N2TA,N2TB |
| | | | - | 1 | 8248059 | A11,A21 |
| | | | 1 | - | 7359879 | N2TA,N2TB |
| | | | - | 1 | 8248060 | A11,A21 |
| | | | 1 | 1 | ----- | |
| 28 | 95002-02100 | CLIP, TUBE (B10)..... | 1 | 1 | ----- | |
| 29 | 95801-06100-00 | BOLT, FLANGE, 6X100..... | 2 | - | ----- | A1,A1B,A1K,A1K6,A1Y,A2,A2C,A2G,A2Y,A2YC,MAK,N1,N1B,N1GA,N1KA,N1KC N1S,N1Y,N2,N2C,N2M,N2Y |
| | | | 2 | - | 7359878 | N2TA,N2TB |

2



ZG93-B1400B

Z61ME1400B

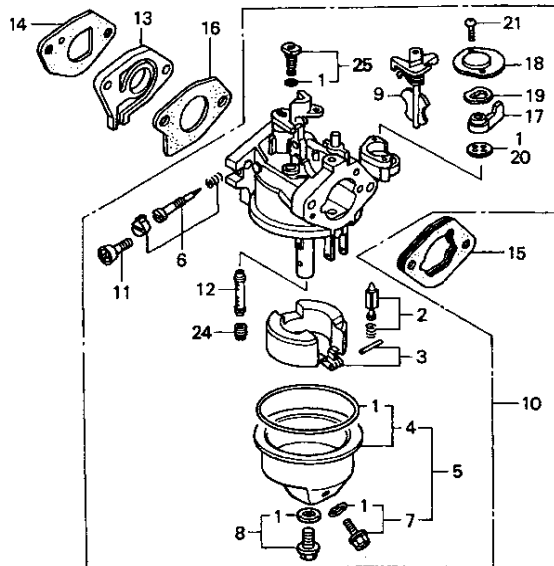
| Service Item | F.R.T. |
|------------------------|--------|
| GASKET SET..... | 0.3 |
| .VALVE SET, FLOAT | |
| .FLOAT SET | |
| .JET, MAIN, | |
| SCREW SET..... | 0.2 |
| .CARBURETOR ASSY. | |
| .INSULATOR, CARBURETOR | |
| .PACKING, CARBURETOR | |



| Ref. No. | Part No. | Description | Reqd. QTY | | Serial No. | Type |
|----------|---------------|-------------------------|--------------------|---|------------|--|
| | | | GXV140 (USA) (FRN) | | | |
| 1 | 16010-ZG9-800 | GASKET SET..... | 1 | - | BE53A C | A1,A1B,A1K,A1K6,A1Y,A2,A2C,A2G,A2Y,A2YC,N1,N1B,N1GA,N1KA,N1KC,N1S,N1Y,N2,N2C,N2M,N2TA,N2TB,N2Y |
| | 16010-ZE0-025 | | 1 | - | BE53A D | A1,A1B,A1K,A1K6,A1Y,A2,A2C,A2G,A2Y,A2YC,N1,N1B,N1GA,N1KA,N1KC,N1S,N1Y,N2,N2C,N2M,N2Y |
| | | | 1 | - | MAK | |
| 2 | 16011-ZE0-005 | VALVE SET, FLOAT..... | 1 | - | BE53A D | BE53A D N2TA,N2TB |
| | | | 1 | - | BE53A D | A1,A1B,A1K,A1K6,A1Y,A2,A2C,A2G,A2Y,A2YC,MAK,N1,N1B,N1GA,N1KA,N1KC,N1S,N1Y,N2,N2C,N2M,N2Y |
| 3 | 16013-ZE0-005 | FLOAT SET..... | 1 | - | BE53A D | BE53A D N2TA,N2TB |
| | | | 1 | - | BE53A D | A1,A1B,A1K,A1K6,A1Y,A2,A2C,A2G,A2Y,A2YC,MAK,N1,N1B,N1GA,N1KA,N1KC,N1S,N1Y,N2,N2C,N2M,N2Y |
| 4 | 16015-ZE0-831 | CHAMBER SET, FLOAT..... | 1 | - | BE53A D | BE53A D N2TA,N2TB |
| | | | 1 | - | BE53A A | A1,A1B,A1K,A1Y,A2,A2C,A2G,A2Y,N1,N1B,N1KA,N1S,N1Y,N2,N2C,N2M,N2TA,N2TB,N2Y |
| | 16015-ZG9-800 | | 1 | - | BE53A B | BE53A C A1,A1B,A1K,A1Y,A2,A2C,A2G,A2Y,N1,N1B,N1KA,N1S,N1Y,N2,N2C,N2M,N2TA,N2TB,N2Y |
| 5 | 16015-ZE0-831 | CHAMBER SET, FLOAT..... | 1 | - | BE53A C | BE53A C A1K6,A2YC,N1GA,N1KC |
| | | | 1 | - | BE53A D | A1,A1B,A1K,A1K6,A1Y,A2,A2C,A2G,A2Y,A2YC,N1,N1B,N1GA,N1KA,N1KC,N1S,N1Y,N2,N2C,N2M,N2Y |
| | | | 1 | - | MAK | |
| | | | 1 | - | BE53A D | BE53A D N2TA,N2TB |
| 6 | 16016-ZH7-W01 | SCREW SET..... | 1 | - | | A1,A1B,A1K,A1K6,A1Y,A2,A2C,A2G,A2Y,A2YC,MAK,N1,N1B,N1GA,N1KA,N1KC,N1S,N1Y,N2,N2C,N2M,N2Y |
| | | | 1 | - | BE53A D | BE53A D N2TA,N2TB |
| 7 | 16024-ZE1-811 | SCREW SET, DRAIN..... | 1 | - | BE53A D | A1,A1B,A1K,A1K6,A1Y,A2,A2C,A2G,A2Y,A2YC,N1,N1B,N1GA,N1KA,N1KC,N1S,N1Y,N2,N2C,N2M,N2Y |
| | | | 1 | - | MAK | |
| | | | 1 | - | BE53A D | BE53A D N2TA,N2TB |

| Ref. No. | Part No. | Description | Reqd. QTY | | Serial No. | Type | |
|----------|----------------|---|--------------------|---|------------|---|---|
| | | | GXV140 (USA) (FRN) | | | | |
| 8 | 16028-ZE0-005 | SCREW SET..... | 1 | - | ----- | A1,A1B,A1K,A1K6,A1Y,A2,A2C,A2G,A2Y,A2YC,MAK,N1,N1B,N1GA,N1KA,N1KC N1S,N1Y,N2,N2C,N2M,N2Y | |
| | | | 1 | - | ----- | BE53A D N2TA,N2TB | |
| 9 | 16045-ZE7-005 | CHOKE SET..... | 1 | - | ----- | A1,A1B,A1K,A1K6,A1Y,A2,A2C,A2G,A2Y,A2YC,MAK,N1,N1B,N1GA,N1KA,N1KC N1S,N1Y,N2,N2C,N2M,N2Y | |
| | | | 1 | - | ----- | BE53A D N2TA,N2TB | |
| 10 | 16100-ZG9-800 | CARBURETOR ASSY. (BE53A A).... | 1 | - | ----- | 6657868 A1,A1B,A1K,A1Y,A2,A2C,A2G,A2Y,N1,N1B,N1KA,N1S,N1Y,N2,N2C,N2M,N2TA N2TB,N2Y | |
| | 16100-ZG9-801 | CARBURETOR ASSY. (BE53A B).... | 1 | - | 6657869 | 7165997 A1,A1B,A1K,A1Y,A2,A2C,A2G,A2Y,N1,N1B,N1KA,N1S,N1Y,N2,N2C,N2M,N2TA N2TB,N2Y | |
| | | | 1 | - | 7165997 | A1K6,N1GA | |
| | 16100-ZG9-802 | CARBURETOR ASSY. (BE53A C).... 16100-ZG9-803 | 1 | - | 7165998 | ----- | A1,A1B,A1K,A1K6,A1Y,A2,A2C,A2G,A2Y,N1,N1B,N1GA,N1KA,N1S,N1Y,N2 N2C,N2M,N2TA,N2TB,N2Y |
| | | | 1 | - | ----- | A2YC,N1KC | |
| | 16100-ZG9-803 | CARBURETOR ASSY. (BE53A D).... | 1 | - | ----- | A1,A1B,A1K,A1K6,A1Y,A2,A2C,A2G,A2Y,A2YC,MAK,N1,N1B,N1GA,N1KA,N1KC N1S,N1Y,N2,N2C,N2M,N2Y | |
| | | | 1 | - | 7359878 | N2TA,N2TB | |
| 11 | 16124-ZE0-005 | SCREW, THROTTLE STOP..... | 1 | - | ----- | A1,A1B,A1K,A1K6,A1Y,A2,A2C,A2G,A2Y,A2YC,MAK,N1,N1B,N1GA,N1KA,N1KC N1S,N1Y,N2,N2C,N2M,N2Y | |
| | | | 1 | - | ----- | BE53A D N2TA,N2TB | |
| 12 | 16166-ZG9-800 | NOZZLE, MAIN..... | 1 | - | ----- | BE53A A A1,A1B,A1K,A1Y,A2,A2C,A2G,A2Y,N1,N1B,N1KA,N1S,N1Y,N2,N2C,N2M,N2TA N2TB,N2Y | |
| | 16166-ZG9-801 | | 1 | - | BE53A B | ----- | A1,A1B,A1K,A1Y,A2,A2C,A2G,A2Y,N1,N1B,N1KA,N1S,N1Y,N2,N2C,N2M,N2Y |
| | | | 1 | - | ----- | A1K6,A2YC,MAK,N1GA,N1KC | |
| | | | 1 | - | BE53A B | BE53A D | N2TA,N2TB |
| 13 | 16211-ZG9-000 | INSULATOR, CARBURETOR..... | 1 | - | ----- | A1,A1B,A1K,A1K6,A1Y,A2,A2C,A2G,A2Y,A2YC,MAK,N1,N1B,N1GA,N1KA,N1KC N1S,N1Y,N2,N2C,N2M,N2Y | |
| | | | 1 | - | 7359878 | N2TA,N2TB | |
| 14 | 16212-ZG9-T00 | PACKING, CARBURETOR (HPE).... | 1 | - | ----- | A1,A1B,A1K,A1K6,A1Y,A2,A2C,A2G,A2Y,A2YC,MAK,N1,N1B,N1GA,N1KA,N1KC N1S,N1Y,N2,N2C,N2M,N2Y | |
| | | | 1 | - | 7359878 | N2TA,N2TB | |
| 15 | 16220-ZE6-010 | SPACER COMP., CARBURETOR..... | 1 | - | ----- | A1,A1B,A1K,A1K6,A1Y,A2,A2C,A2G,A2Y,A2YC,MAK,N1,N1B,N1GA,N1KA,N1KC N1S,N1Y,N2,N2C,N2M,N2Y | |
| | | | 1 | - | 7359878 | N2TA,N2TB | |
| 16 | 16221-ZG9-T00 | PACKING, CARBURETOR (HPE).... | 1 | - | ----- | A1,A1B,A1K,A1K6,A1Y,A2,A2C,A2G,A2Y,A2YC,MAK,N1,N1B,N1GA,N1KA,N1KC N1S,N1Y,N2,N2C,N2M,N2Y | |
| | | | 1 | - | 7359878 | N2TA,N2TB | |
| 17 | 16953-ZE1-812 | LEVER, COCK..... | 1 | - | ----- | A1,A1B,A1K,A1K6,A1Y,A2,A2C,A2G,A2Y,A2YC,MAK,N1,N1B,N1GA,N1KA,N1KC N1S,N1Y,N2,N2C,N2M,N2Y | |
| | | | 1 | - | ----- | BE53A D N2TA,N2TB | |
| 18 | 16954-ZE1-812 | PLATE, LEVER SETTING..... | 1 | - | ----- | A1,A1B,A1K,A1K6,A1Y,A2,A2C,A2G,A2Y,A2YC,MAK,N1,N1B,N1GA,N1KA,N1KC N1S,N1Y,N2,N2C,N2M,N2Y | |
| | | | 1 | - | ----- | BE53A D N2TA,N2TB | |
| 19 | 16956-ZE1-811 | SPRING, COCK LEVER..... | 1 | - | ----- | A1,A1B,A1K,A1K6,A1Y,A2,A2C,A2G,A2Y,A2YC,MAK,N1,N1B,N1GA,N1KA,N1KC N1S,N1Y,N2,N2C,N2M,N2Y | |
| | | | 1 | - | ----- | BE53A D N2TA,N2TB | |
| 20 | 16957-ZE1-812 | PACKING, FUEL COCK..... | 1 | - | ----- | A1,A1B,A1K,A1K6,A1Y,A2,A2C,A2G,A2Y,A2YC,MAK,N1,N1B,N1GA,N1KA,N1KC N1S,N1Y,N2,N2C,N2M,N2Y | |
| | | | 1 | - | ----- | BE53A D N2TA,N2TB | |
| 21 | 93500-03006-1H | SCREW, PAN, 3X6..... | 2 | - | ----- | A1,A1B,A1K,A1K6,A1Y,A2,A2C,A2G,A2Y,A2YC,MAK,N1,N1B,N1GA,N1KA,N1KC N1S,N1Y,N2,N2C,N2M,N2Y | |
| | | | 2 | - | ----- | DE53A D N2TA,N2TB | |

2



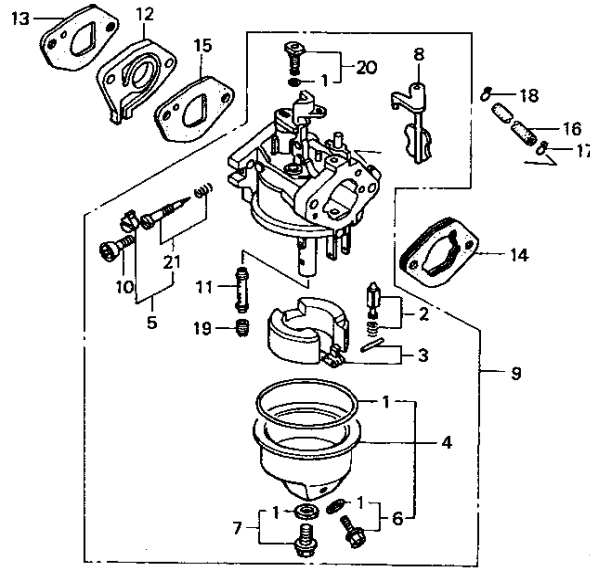
ZG93-E1400B

Z61E1100B

Service Item F.R.T.

| Ref. No. | Part No. | Description | Reqd. QTY | | Serial No. | Type |
|----------|----------------|---------------------|--------------|-------|------------|--|
| | | | GKV140 (USA) | (FRN) | | |
| 24 | 99101-ZH7-0550 | JET, MAIN, #55 | (1) | - | BE53A A | A1,A1B,A1K,A1Y,A2,A2C,A2G,A2Y,N1,N1B,N1KA,N1S,N1Y,N2,N2C,N2M,N2TA,N2TB,N2Y |
| | 99101-ZH7-0580 | JET, MAIN, #58 | (1) | - | BE53A A | A1,A1B,A1K,A1Y,A2,A2C,A2G,A2Y,N1,N1B,N1KA,N1S,N1Y,N2,N2C,N2M,N2TA,N2TB,N2Y |
| | 99101-ZH7-0600 | JET, MAIN, #60 | 1 | - | BE53A A | A1,A1B,A1K,A1Y,A2,A2C,A2G,A2Y,N1,N1B,N1KA,N1S,N1Y,N2,N2C,N2M,N2TA,N2TB,N2Y |
| | 99101-ZH7-0520 | JET, MAIN, #52 | (1) | - | BE53A B | BE53A D N2TA,N2TB |
| | 99101-ZH7-0550 | JET, MAIN, #55 | (1) | - | BE53A B | BE53A D N2TA,N2TB |
| | 99101-ZH7-0580 | JET, MAIN, #58 | 1 | - | BE53A B | BE53A D N2TA,N2TB |
| | 99101-ZH8-0520 | JET, MAIN, #52 | (1) | - | BE53A B | A1,A1B,A1K,A1Y,A2,A2C,A2G,A2Y,N1,N1B,N1KA,N1S,N1Y,N2,N2C,N2M,N2Y |
| | | | (1) | - | | A1K6,A2YC,MAK,N1GA,N1KC |
| | 99101-ZH8-0550 | JET, MAIN, #55 | (1) | - | BE53A B | A1,A1B,A1K,A1Y,A2,A2C,A2G,A2Y,N1,N1B,N1KA,N1S,N1Y,N2,N2C,N2M,N2Y |
| | | | (1) | - | | A1K6,A2YC,MAK,N1GA,N1KC |
| | 99101-ZH8-0580 | JET, MAIN, #58 | 1 | - | BE53A B | A1,A1B,A1K,A1Y,A2,A2C,A2G,A2Y,N1,N1B,N1KA,N1S,N1Y,N2,N2C,N2M,N2Y |
| | | | 1 | - | | A1K6,A2YC,MAK,N1GA,N1KC |
| 25 | 99204-ZE2-0400 | JET SET, PILOT, #40 | 1 | - | BE53A A | A1,A1B,A1K,A1Y,A2,A2C,A2G,A2Y,N1,N1B,N1KA,N1S,N1Y,N2,N2C,N2M,N2TA,N2TB,N2Y |
| | 99204-ZE2-0380 | JET SET, PILOT, #38 | 1 | - | BE53A B | A1,A1B,A1K,A1Y,A2,A2C,A2G,A2Y,N1,N1B,N1KA,N1S,N1Y,N2,N2C,N2M,N2Y |
| | | | 1 | - | | A1K6,A2YC,MAK,N1GA,N1KC |
| | | | 1 | - | BE53A B | BE53A D N2TA,N2TB |

2



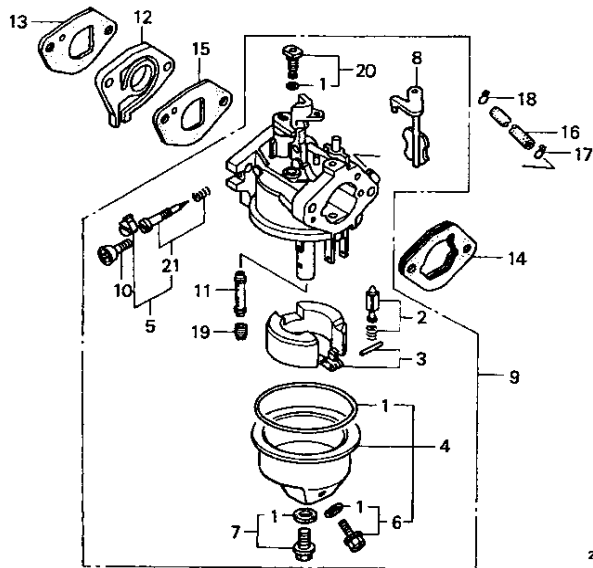
ZG93-E1401 A

761E1401A

| Service Item | F.R.T. |
|------------------------|--------|
| VALVE SET, FLOAT..... | 0.3 |
| .FLOAT SET | |
| .JET, MAIN, | |
| SCREW SET..... | 0.2 |
| .CHOKE SET | |
| .INSULATOR, CARBURETOR | |
| .PACKING, CARBURETOR | |
| .PACKING, CARBURETOR | |
| .TUBE, FUEL VALVE | |



| Ref. No. | Part No. | Description | Reqd. QTY | | Serial No. | Type |
|----------|---------------|--------------------------------|--------------|-------|------------|----------------------------------|
| | | | GXY140 (USA) | (FRN) | | |
| 1 | 16010-ZB1-015 | GASKET SET..... | 1 | 1 | ----- | A11,A21,MAH,MAJ,N1SA,N1U,N2V,N21 |
| 2 | 16011-ZE0-005 | VALVE SET, FLOAT..... | 1 | 1 | BE52B B | N2TA,N2TB |
| 3 | 16013-ZE0-005 | FLOAT SET..... | 1 | 1 | BE52B B | A11,A21,MAH,MAJ,N1SA,N1U,N2V,N21 |
| 4 | 16015-ZE0-831 | CHAMBER SET, FLOAT..... | 1 | 1 | BE52B B | N2TA,N2TB |
| 5 | 16016-ZH8-W01 | SCREW SET..... | 1 | 1 | BE52B B | A11,A21,MAH,MAJ,N1SA,N1U,N2V,N21 |
| | | | 1 | 1 | BE52B B | N2TA,N2TB |
| | | | 1 | 1 | BE52B C | MAH,MAJ,N1SA,N1U,N2V |
| 6 | 16024-ZE1-811 | SCREW SET, DRAIN..... | 1 | 1 | BE52B B | N2TA,N2TB |
| 7 | 16028-ZE0-005 | SCREW SET..... | 1 | 1 | BE52B B | A11,A21,MAH,MAJ,N1SA,N1U,N2V,N21 |
| 8 | 16044-ZE7-005 | CHOKE SET..... | 1 | 1 | BE52B B | N2TA,N2TB |
| | 16045-ZE6-005 | | 1 | 1 | ----- | MAH,MAJ,N1SA,N1U,N2V |
| | | | 1 | 1 | BE52B B | N2TA,N2TB |
| 9 | 16100-ZG9-N10 | CARBURETOR ASSY. (BE52D A).... | - | 1 | ----- | MAH,MAJ,N1SA,N1U,N2V |
| | 16100-ZG9-N11 | CARBURETOR ASSY. (BE52D B/C).. | - | 1 | 7359879 | N2TA,N2TB |
| | 16100-ZG9-M11 | CARBURETOR ASSY. (BE52B B/C).. | 1 | 1 | ----- | A11,A21,MAH,MAJ,N1SA,N1U,N2V,N21 |
| 10 | 16124-ZE0-005 | SCREW, THROTTLE STOP..... | 1 | 1 | BE52B B | N2TA,N2TB |
| 11 | 16166-ZG9-M11 | NOZZLE, MAIN..... | 1 | 1 | BE52B B | A11,A21,MAH,MAJ,N1SA,N1U,N2V,N21 |
| | | | 1 | 1 | BE52B B | N2TA,N2TB |



Z093-E1401 A

Z093E1401A

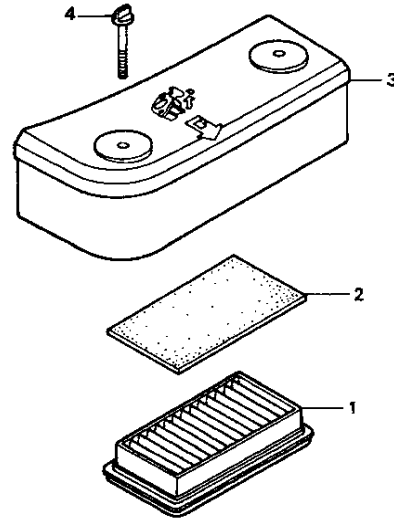
Service Item F.R.T.



| Ref. No. | Part No. | Description | Reqd. QTY | | Serial No. | Type | |
|----------|----------------|---------------------------------------|--------------------|-----|------------|--|--|
| | | | GXV140 (USA) (FRN) | | | | |
| 12 | 16211-ZG9-000 | INSULATOR, CARBURETOR..... | 1 | 1 | ----- | A11, A21, MAH, MAJ, N1SA, N1U, N2V, N21 N2TA, N2TB | |
| 13 | 16212-ZG9-T00 | PACKING, CARBURETOR (HPE)..... | 1 | 1 | 7359879 | ----- | A11, A21, MAH, MAJ, N1SA, N1U, N2V, N21 N2TA, N2TB |
| 14 | 16220-ZE6-010 | SPACER COMP., CARBURETOR..... | 1 | 1 | 7359879 | ----- | A11, A21, MAH, MAJ, N1SA, N1U, N2V, N21 N2TA, N2TB |
| 15 | 16221-ZG9-T00 | PACKING, CARBURETOR (HPE)..... | 1 | 1 | 7359879 | ----- | A11, A21, MAH, MAJ, N1SA, N1U, N2V, N21 N2TA, N2TB |
| 16 | 95001-45165-40 | TUBE, FUEL, 4.5X165 (95001-45001-60M) | - | 1 | 8248059 | ----- | A11, A21 N21 |
| | 17523-ZG9-M00 | TUBE, FUEL VALVE..... | 1 | - | ----- | ----- | MAH, MAJ, N1SA, N1U, N2V N2TA, N2TB |
| | | | 1 | - | 7359879 | ----- | A11, A21 |
| | | | - | 1 | 8248060 | ----- | A11, A21, MAH, MAJ, N1SA, N1U, N2V, N21 N2TA, N2TB |
| 17 | 95002-02080 | CLIP, TUBE (B8)..... | 1 | 1 | 7359879 | ----- | A11, A21 |
| 18 | 95002-02080 | CLIP, TUBE (B8)..... | - | 1 | 8248059 | ----- | A11, A21 N21 |
| | 95002-02100 | CLIP, TUBE (B10)..... | 1 | - | ----- | ----- | MAH, MAJ, N1SA, N1U, N2V N2TA, N2TB |
| | | | - | 1 | 7359897 | ----- | A11, A21 |
| | | | - | 1 | 8248060 | ----- | A11, A21, MAH, MAJ, N1SA, N1U, N2V, N21 N2TA, N2TB |
| 19 | 99101-ZH8-0500 | JET, MAIN, #50..... | (1) | (1) | ----- | ----- | A11, A21, MAH, MAJ, N1SA, N1U, N2V, N21 N2TA, N2TB |
| | 99101-ZH8-0520 | JET, MAIN, #52..... | (1) | (1) | BE52B B | ----- | A11, A21, MAH, MAJ, N1SA, N1U, N2V, N21 N2TA, N2TB |
| | 99101-ZH8-0550 | JET, MAIN, #55..... | (1) | 1 | ----- | ----- | A11, A21, MAH, MAJ, N1SA, N1U, N2V, N21 N2TA, N2TB |
| | | | 1 | - | BE52B B | ----- | A11, A21, MAH, MAJ, N1SA, N1U, N2V, N21 N2TA, N2TB |

| Ref. No. | Part No. | Description | Reqd. QTY | | Serial No. | Type |
|----------|----------------|--------------------------|--------------|------|------------|---|
| | | | GXV140 (USA) | FERN | | |
| 20 | 99204-ZE0-0350 | JET SET, PILOT, #35..... | 1 | 1 | ----- | A11, A21, MAH, MAJ, N1SA, N1U, N2V, N21 N2TA, N2TB |
| | | | 1 | - | BE52B B | |
| 21 | 16016-ZA0-931 | SCREW SET, PILOT..... | - | 1 | ----- | BE52D C |

2

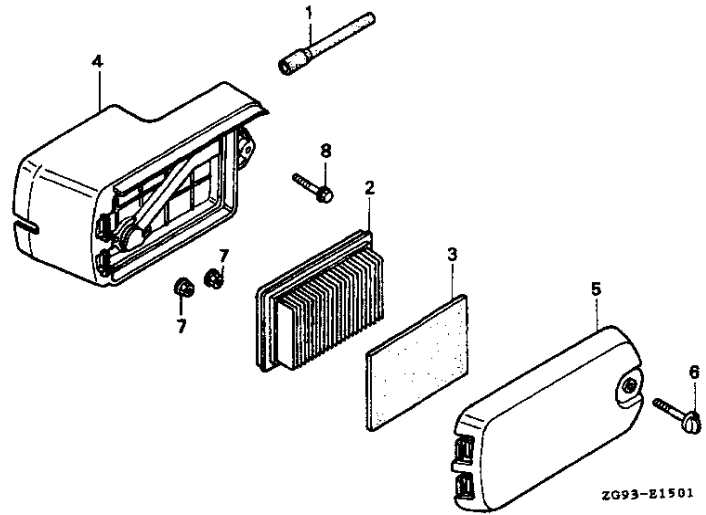


Z693-B1500

Z611E1599

| Service Item | F.R.T. |
|---------------------------|--------|
| ELEMENT, AIR CLEANER..... | 0.1 |
| .FILTER, OUTER | |
| .COVER, AIR CLEANER | |

| Ref. No. | Part No. | Description | Reqd. QTY | | Serial No. | Type |
|----------|-----------------|---------------------------------------|--------------------|---|------------|---|
| | | | GXV140 (USA) (FRN) | | | |
| 1 | 17211-Z69-800 | ELEMENT, AIR CLEANER..... | 1 | - | ----- | A1,A1B,A1K,A1K6,A1Y,A2,A2C,A2G,A2Y,A2YC,MAK,N1,N1B,N1GA,N1KA,N1KC N1S,N1Y,N2,N2C,N2M,N2Y |
| 2 | 17218-Z69-800 | FILTER, OUTER..... | 1 | - | 7359878 | N2TA,N2TB |
| | | | 1 | - | 7359878 | A1,A1B,A1K,A1K6,A1Y,A2,A2C,A2G,A2Y,A2YC,MAK,N1,N1B,N1GA,N1KA,N1KC N1S,N1Y,N2,N2C,N2M,N2Y |
| 3 | 17231-Z69-800ZA | COVER, AIR CLEANER *NH1*.....BLACK | 1 | - | ----- | A1,A1K,A1K6,A1Y,A2,A2C,A2Y,MAK,N1,N1GA,N1KA,N1S,N1Y,N2,N2C,N2M N2Y |
| | 17231-Z69-800ZC | *R8*.....BRIGHT RED | 1 | - | ----- | A1,A1K6,A1Y,A2,A2G,A2Y,A2YC,MAK,N1,N1KC,N1Y,N2,N2Y |
| | 17231-Z69-800ZD | *T50*.....BRILL RED | 1 | - | 7359878 | N2TA,N2TB |
| | 17231-Z69-800ZE | *NH164*.....GRIP GRAY | 1 | - | ----- | A1B,N1B |
| 4 | 90004-Z69-M00 | BOLT, AIR CLEANER, 6MM..... | 2 | - | ----- | A2Y |
| | | | 2 | - | 7359896 | A1,A1B,A1K,A1K6,A1Y,A2,A2C,A2G,A2Y,A2YC,MAK,N1,N1B,N1GA,N1KA,N1KC N1S,N1Y,N2,N2C,N2M,N2Y |
| | | | 2 | - | ----- | N2TA,N2TB |

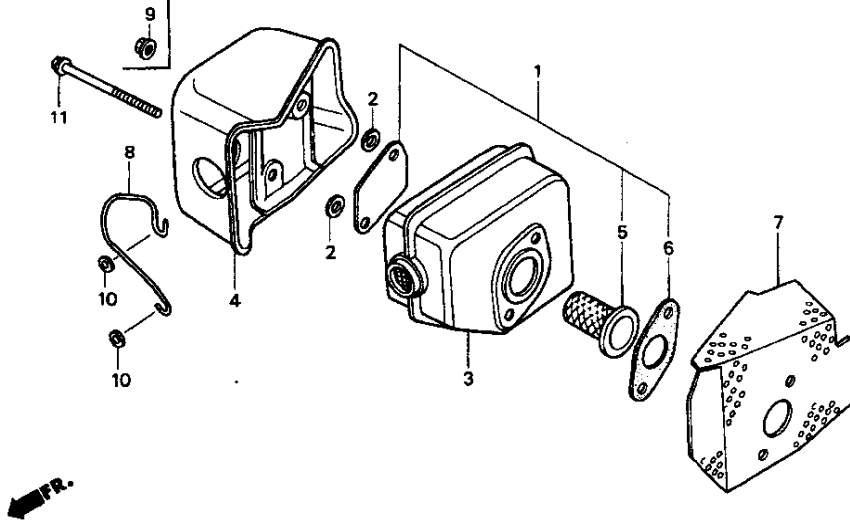


| Service Item | F.R.T. |
|---------------------------|--------|
| ELEMENT, AIR CLEANER..... | 0.1 |
| .FILTER, OUTER | |
| .CASE COMP., AIR CLEANER | |

| Ref. No. | Part No. | Description | Reqd. QTY | | Serial No. | Type |
|----------|----------------|------------------------------|--------------|-------|------------|--|
| | | | GXV 40 (USA) | (FRN) | | |
| 1 | 15721-ZG9-M00 | TUBE, BREATHER (110MM)..... | 1 | 1 | ----- | A11,A21,MAH,MAJ,N1SA,N1U,N2V,N21 N2TA,N2TB |
| 2 | 17211-ZG9-M00 | ELEMENT, AIR CLEANER..... | 1 | 1 | 7359879 | ----- A11,A21,MAH,MAJ,N1SA,N1U,N2V,N21 N2TA,N2TB |
| 3 | 17218-ZG9-M00 | FILTER, OUTER..... | 1 | 1 | 7359879 | ----- A11,A21,MAH,MAJ,N1SA,N1U,N2V,N21 N2TA,N2TB |
| 4 | 17220-ZG9-M00 | CASE COMP., AIR CLEANER..... | 1 | 1 | 7359879 | ----- A11,A21,MAH,MAJ,N1SA,N1U,N2V,N21 N2TA,N2TB |
| 5 | 17231-ZG9-M00 | COVER, AIR CLEANER..... | 1 | 1 | 7359879 | ----- A11,A21,MAH,MAJ,N1SA,N1U,N2V,N21 N2TA,N2TB |
| 6 | 90004-ZG9-M00 | BOLT, AIR CLEANER, 6MM..... | 1 | 1 | 7359879 | ----- A11,A21,MAH,MAJ,N1SA,N1U,N2V,N21 N2TA,N2TB |
| 7 | 94050-06000 | NUT, FLANGE, 6MM..... | 2 | 2 | 7359879 | ----- A11,A21,MAH,MAJ,N1SA,N1U,N2V,N21 N2TA,N2TB |
| 8 | 95701-06032-00 | BOLT, FLANGE, 6X32..... | 1 | 1 | 7359879 | ----- A11,A21,MAH,MAJ,N1SA,N1U,N2V,N21 N2TA,N2TB |

Service Item F.R.T.

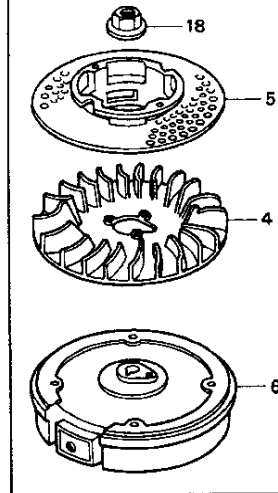
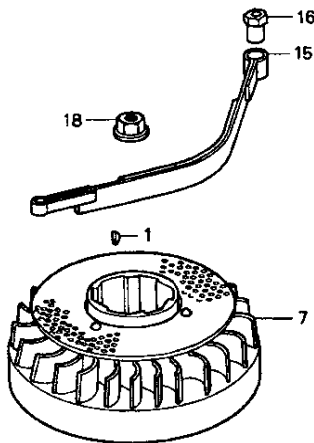
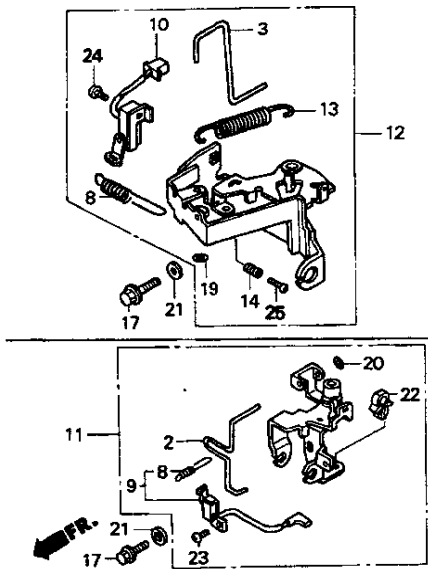
| | |
|-------------------------------|-----|
| ARRESTER KIT, SPARK..... | 0.2 |
| .MUFFLER COMP. | |
| .ARRESTER, SPARK | |
| .GASKET, MUFFLER | |
| PROTECTOR COMP., MUFFLER..... | 0.1 |



ZG93-E1600A

Z81E1600A

| Ref. No. | Part No. | Description | Reqd. QTY | | Serial No. | Type |
|----------|----------------|------------------------------------|--------------|-------|------------|---|
| | | | GXV140 (USA) | (FRN) | | |
| 1 | 06180-ZE6-820 | ARRESTER KIT, SPARK..... | (1) | (1) | | |
| 2 | 18292-ZE7-M10 | PACKING, PROTECTOR..... | 2 | 2 | ----- | A1B,A1Y,A11,A2C,A2Y,A2YC,A21,N1B,N1GA,N1S,N1Y,N2C,N2Y |
| 3 | 18310-ZG9-J01 | MUFFLER COMP..... | 1 | 1 | ----- | A1,A1B,A1K,A1K6,A1Y,A11,A2,A2G,A2Y,A2YC,A21,MAH,MAJ,MAK,N1,N1B,N1GA,N1KA,N1KC,N1S,N1SA,N1U,N1Y,N2,N2M,N2TA,N2TB,N2V,N2Y,N21 |
| | 18310-ZG9-M11 | MUFFLER COMP. (FINLAND)..... | 1 | - | 6839526 | A2C |
| | 18310-ZG9-J01 | MUFFLER COMP..... | 1 | - | 6839527 | N2C |
| 4 | 18320-ZG9-M01 | PROTECTOR COMP., MUFFLER..... | 1 | 1 | ----- | A1,A1B,A1K,A1K6,A1Y,A11,A2,A2G,A2Y,A2YC,A21,MAH,MAJ,MAK,N1,N1B,N1GA,N1KA,N1KC,N1S,N1SA,N1U,N1Y,N2,N2M,N2TA,N2TB,N2V,N2Y,N21 |
| | 18320-ZG9-M11 | PROTECTOR COMP., MUFFLER (FINLAND) | 1 | - | ----- | A2C,N2C |
| 5 | 18355-888-810 | ARRESTER, SPARK..... | (1) | (1) | | |
| 6 | 18381-ZE6-820 | GASKET, MUFFLER..... | (1) | (1) | | |
| 7 | 18381-ZG9-M00 | GASKET, MUFFLER..... | 1 | 1 | ----- | A1B,A1Y,A2C,A2Y,N1B,N1S,N1Y,N2C,N2Y |
| 8 | 18435-ZE7-W40 | GUARD, MUFFLER..... | 1 | - | 6839527 | A2YC,N1GA |
| | | | - | 1 | 8197637 | A21 |
| 9 | 90308-SA0-981 | NUT, SELF-LOCK, 6MM..... | 2 | - | ----- | A1B,A1Y,A2C,A2Y,A2YC,N1B,N1GA,N1S,N1Y,N2C,N2Y |
| | | | - | 2 | 8103697 | A11,A21 |
| 10 | 94101-06000 | WASHER, PLAIN, 6MM..... | 2 | - | 6839527 | A1B,A1Y,A2C,A2Y,N1B,N1S,N1Y,N2C,N2Y |
| | | | 2 | - | ----- | A2YC,N1GA |
| | | | - | 2 | 8197637 | A21 |
| 11 | 95801-06085-00 | BOLT, FLANGE, 6X85..... | 2 | 2 | ----- | A1K,A1K6,A2G,MAH,MAJ,MAK,N1KA,N1KC,N1SA,N1U,N2M,N2TA,N2TB,N2V,N21 |
| | | | - | 2 | 8103698 | A11,A21 |
| | | | 2 | - | ----- | A1,A2,N1,N2 |



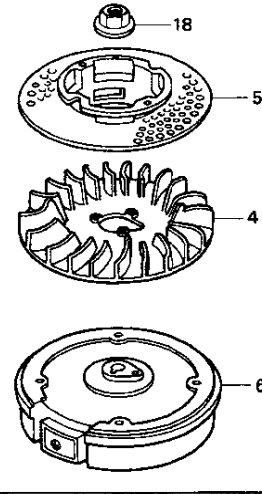
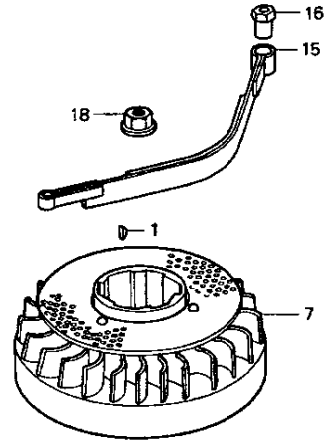
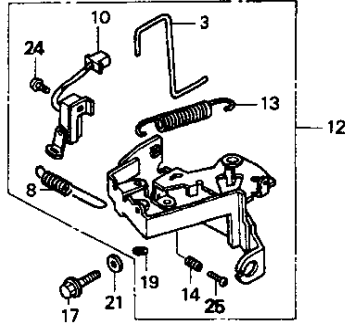
ZG93-B1900A

7613E1390A

Service Item F.R.T.

- ROD, GOVERNOR ARM RETURN..... 0.2
- .SPRING, SWITCH CONTROL
- .SPRING, BRAKE LEVER
- .SWITCH ASSY., ENGINE STOP
- FLYWHEEL ASSY..... 0.3
- .FAN, COOLING
- .PULLEY COMP., STARTER
- .FLYWHEEL COMP.
- .LEVER ASSY., BRAKE
- .BRAKE COMP.

| Ref. No. | Part No. | Description | Reqd. QTY | | Serial No. | Type |
|----------|---------------|--------------------------------------|--------------------|---|------------|---|
| | | | GXVI40 (USA) (FRN) | | | |
| 1 | 13331-357-000 | KEY, SPECIAL WOODRUFF, 25X18.. | 1 | 1 | | |
| 2 | 16566-ZG9-M90 | ROD, GOVERNOR ARM RETURN..... | - | 1 | ----- | A11,A21 |
| 3 | 16566-ZG9-800 | ROD, GOVERNOR ARM RETURN..... | 1 | - | ----- | A1,A1B,A1K,A1K6,A1Y,A2,A2C,A2G,A2Y,A2YC |
| 4 | 19511-ZE6-T00 | FAN, COOLING (USA)..... | 1 | - | ----- | N1GA,N1KA,N1KC |
| 5 | 28451-ZE6-T03 | PULLEY COMP., STARTER..... | 1 | - | ----- | N1GA,N1KA |
| 6 | 31100-ZE6-T01 | FLYWHEEL COMP..... | 1 | - | ----- | N1GA,N1KA,N1KC |
| 7 | 31105-ZG9-800 | FLYWHEEL ASSY..... | 1 | 1 | ----- | A1,A1B,A1K,A1K6,A1Y,A11,A2,A2C,A2G,A2Y,A2YC,A21,MAH,MAJ,MAK,N1 N1B,N1S,N1SA,N1U,N1Y,N2,N2C,N2M,N2TA,N2TB,N2V,N2Y,N21 |
| 8 | 35129-ZG9-800 | SPRING, SWITCH CONTROL..... | 1 | 1 | ----- | A1,A1B,A1K,A1K6,A1Y,A11,A2,A2C,A2G,A2Y,A2YC,A21 |
| 9 | 36100-ZG9-M91 | SWITCH ASSY., ENGINE STOP (BRAKE) | - | 1 | ----- | A11,A21 |
| 10 | 36100-ZG9-811 | SWITCH ASSY., ENGINE STOP (BRAKE) | 1 | - | ----- | A1,A1B,A1K,A1K6,A1Y,A2,A2C,A2G,A2Y,A2YC |
| 11 | 75101-ZG9-M90 | LEVER ASSY., BRAKE..... | - | 1 | ----- | A11,A21 |
| 12 | 75101-ZG9-801 | LEVER ASSY., BRAKE..... | 1 | - | ----- | A1,A1B,A1K,A1K6,A1Y,A2,A2C,A2G,A2Y,A2YC |
| 13 | 75113-ZG9-800 | SPRING, BRAKE LEVER..... | 1 | - | ----- | A1,A1B,A1K,A1K6,A1Y,A2,A2C,A2G,A2Y,A2YC |
| 14 | 75114-ZG9-800 | SPRING, BRAKE ADJUSTING..... | 1 | - | ----- | A1,A1B,A1K,A1K6,A1Y,A2,A2C,A2G,A2Y,A2YC |
| 15 | 75120-ZG9-801 | BRAKE COMP..... | 1 | 1 | ----- | A1,A1B,A1K,A1K6,A1Y,A11,A2,A2C,A2G,A2Y,A2YC,A21 |
| 16 | 75123-ZG9-800 | COLLAR, BRAKE SHAFT..... | 1 | 1 | ----- | A1,A1B,A1K,A1K6,A1Y,A11,A2,A2C,A2G,A2Y,A2YC,A21 |
| 17 | 90029-888-000 | BOLT, FLANGE, 6X16..... | 1 | - | ----- | A1,A2 |
| | 90014-952-000 | BOLT, FLANGE, 6X14 (CT200).... | 1 | 1 | ----- | A1B,A1K,A1K6,A1Y,A11,A2C,A2G,A2Y,A2YC,A21 |
| 18 | 90201-878-003 | NUT, SPECIAL, 14MM..... | 1 | 1 | ----- | |
| 19 | 90310-ZB7-701 | NUT, PUSH, 2.6..... | 1 | - | ----- | A1,A1B,A1K,A1K6,A1Y,A2,A2C,A2G,A2Y,A2YC |
| 20 | 90331-SB2-003 | NUT, SPEED..... | - | 1 | ----- | A11,A21 |
| 21 | 90461-357-000 | WASHER, SEALING, 6.5X12..... | 1 | 1 | ----- | A1,A1B,A1K,A1K6,A1Y,A11,A2,A2C,A2G,A2Y,A2YC,A21 |

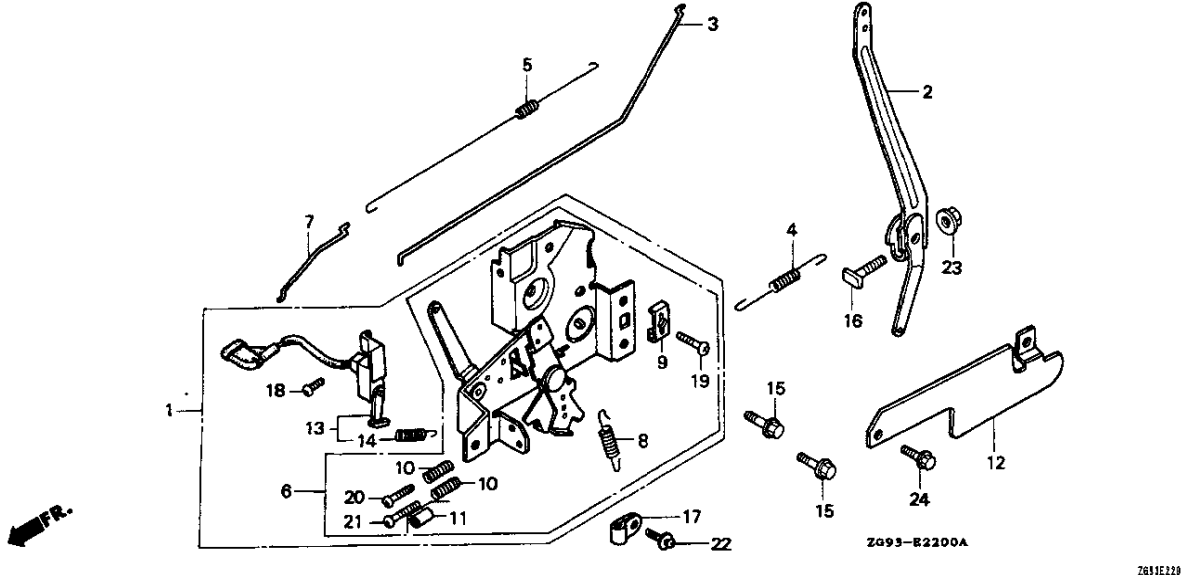


ZG93-E1900A

Z613E1900A

Service Item F.R.T.

| Ref. No. | Part No. | Description | Reqd. QTY | | Serial No. | Type |
|----------|----------------|--------------------------------|--------------------|---|------------|--|
| | | | GXV140 (USA) (FRN) | | | |
| 22 | 90660-ZA0-600 | CLIP, ENGINE KILL SWITCH CORD. | - | 1 | ----- | A11, A21 |
| 23 | 93500-04006-0A | SCREW, PAN, 4X6..... | - | 1 | ----- | A11, A21 |
| 24 | 93500-04008-0A | SCREW, PAN, 4X8..... | 1 | - | ----- | A1, A1B, A1K, A1K6, A1Y, A2, A2C, A2G, A2Y, A2YC |
| 25 | 93500-05012-0A | SCREW, PAN, 5X12..... | 1 | - | ----- | A1, A1B, A1K, A1K6, A1Y, A2, A2C, A2G, A2Y, A2YC |

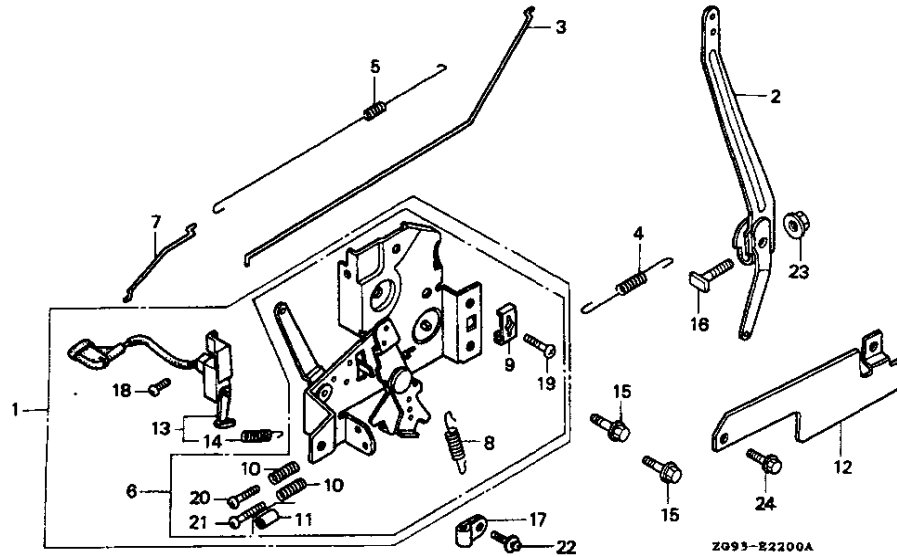


| Service Item | F.R.T. |
|----------------------------|--------|
| CONTROL ASSY..... | 0.3 |
| .ARM COMP., GOVERNOR | |
| .ROD, GOVERNOR | |
| .SPRING, THROTTLE RETURN | |
| .CONTROL COMP. | |
| SPRING, GOVERNOR..... | 0.1 |
| ROD, CHOKE..... | 0.2 |
| .SWITCH ASSY., ENGINE STOP | |

2

| Ref. No. | Part No. | Description | Reqd. QTY | | Serial No. | Type |
|----------|---------------|-------------------------------|--------------|-------|------------|---|
| | | | GXV140 (USA) | (FRN) | | |
| 1 | 16500-ZG9-U90 | CONTROL ASSY. (GABY)..... | 1 | - | ----- | N1GA |
| | 16500-ZG9-800 | CONTROL ASSY..... | 1 | - | ----- | N2M |
| | | | 1 | - | 7359878 | N2TA |
| | 16500-ZG9-U20 | CONTROL ASSY. (BRILL)..... | 1 | - | ----- | N1B,N1S |
| | 16500-ZG9-810 | CONTROL ASSY. (EN)..... | 1 | - | ----- | N1Y,N2C,N2Y |
| | 16500-ZG9-L00 | CONTROL ASSY..... | 1 | - | ----- | MAK |
| | | | 1 | - | 7359878 | N2TB |
| | 16500-ZG9-800 | | 1 | - | ----- | N1,N2 |
| 2 | 16551-ZE6-U40 | ARM COMP., GOVERNOR (C,G).... | 1 | - | ----- | A1,A1B,A1K,A1K6,A1Y,A2,A2C,A2G,A2Y,A2YC,MAK,N1,N1B,N1GA,N1S,N1Y |
| | | | 1 | - | 7359878 | N2,N2C,N2M,N2Y |
| | | | 1 | - | 7359878 | N2TA,N2TB |
| 3 | 16555-ZE6-000 | ROD, GOVERNOR..... | 1 | - | ----- | A1,A1B,A1K,A1K6,A1Y,A2,A2C,A2G,A2Y,A2YC,MAK,N1,N1B,N1GA,N1S,N1Y |
| | | | 1 | - | 7359878 | N2,N2C,N2M,N2Y |
| | | | 1 | - | 7359878 | N2TA,N2TB |
| 4 | 16561-ZE6-010 | SPRING, GOVERNOR..... | 1 | - | ----- | A1,A1B,A1K,A1K6,A1Y,A2,A2C,A2G,A2Y,A2YC,MAK,N1,N1B,N1GA,N1S,N1Y |
| | | | 1 | - | 7359878 | N2,N2C,N2M,N2Y |
| | | | 1 | - | 7359878 | N2TA,N2TB |
| 5 | 16562-ZE6-000 | SPRING, THROTTLE RETURN..... | 1 | - | ----- | A1,A1B,A1K,A1K6,A1Y,A2,A2C,A2G,A2Y,A2YC,MAK,N1,N1B,N1GA,N1S,N1Y |
| | | | 1 | - | 7359878 | N2,N2C,N2M,N2Y |
| | | | 1 | - | 7359878 | N2TA,N2TB |
| 6 | 16570-ZE6-U50 | CONTROL COMP..... | 1 | - | ----- | A1K,A1K6,A1Y,A2C,A2G,A2Y |
| | 16570-ZG9-U20 | CONTROL COMP. (BRILL)..... | 1 | - | ----- | A1B |
| | 16570-ZG9-810 | CONTROL COMP. (EN)..... | 1 | - | ----- | A1,A2,A2YC |
| 7 | 16573-ZE6-010 | ROD, CHOKE..... | 1 | - | ----- | A1,A1B,A1K,A1K6,A1Y,A2,A2C,A2G,A2Y,A2YC,MAK,N1,N1B,N1GA,N1S,N1Y |
| | | | 1 | - | 7359878 | N2,N2C,N2M,N2Y |
| | | | 1 | - | 7359878 | N2TA,N2TB |

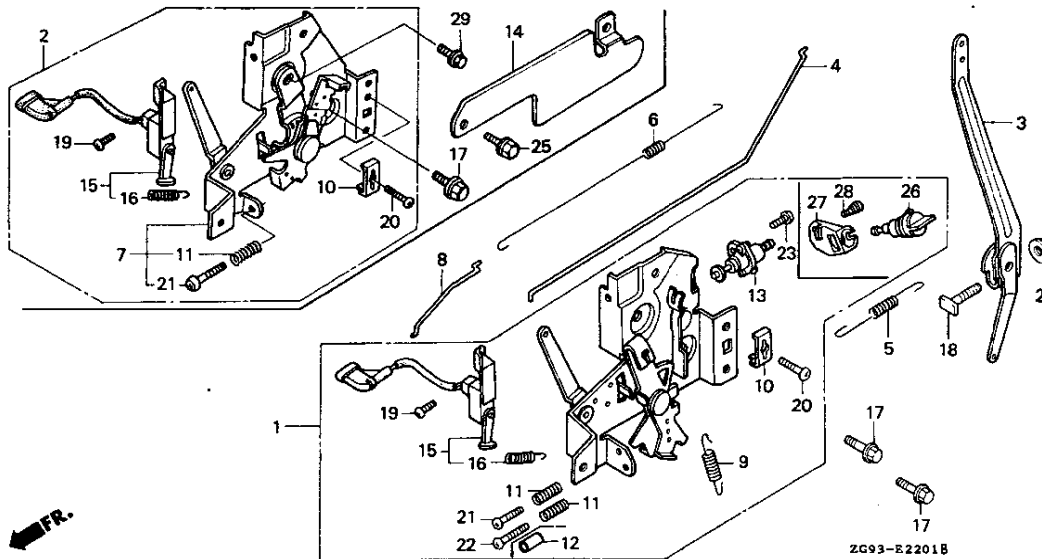
Service Item F.R.T.



| Ref. No. | Part No. | Description | Reqd. QTY | | Serial No. | Type |
|----------|----------------|--------------------------------|--------------|-------|------------|---|
| | | | GXV140 (USA) | (FRN) | | |
| 8 | 16574-ZG9-M00 | SPRING, LEVER..... | 1 | - | - | A1,A1B,A1K,A1K6,A1Y,A2,A2C,A2G,A2Y,A2YC,MAK,N1,N1B,N1GA,N1S,N1Y N2,N2C,N2M,N2Y |
| 9 | 16576-891-000 | HOLDER, CABLE..... | 1 | - | 7359878 | N2TA,N2TB |
| | | | 1 | - | - | A1,A1B,A1K,A1K6,A1Y,A2,A2C,A2G,A2Y,A2YC,MAK,N1,N1B,N1GA,N1S,N1Y N2,N2C,N2M,N2Y |
| 10 | 16584-883-300 | SPRING, CONTROL ADJUSTING..... | 2 | - | 7359878 | N2TA,N2TB |
| | | | 2 | - | - | A1,A1B,A1K,A1K6,A1Y,A2,A2C,A2G,A2Y,A2YC,MAK,N1,N1B,N1GA,N1S,N1Y N2,N2C,N2M,N2Y |
| | | | 2 | - | 7359878 | N2TA,N2TB |
| 11 | 16599-ZG1-M10 | COLLAR, STOPPER..... | 1 | - | - | A1,A1B,A2,A2YC,N1B,N1GA,N1S |
| 12 | 17100-ZE6-000 | PROTECTOR, CONTROL..... | 1 | - | - | A1B,MAK,N1B |
| 13 | 36100-ZG9-821 | SWITCH ASSY., ENGINE STOP..... | 1 | - | - | MAK,N1,N1B,N1S,N1Y,N2,N2C,N2M,N2Y |
| | 36100-ZE6-003 | | 1 | - | 7359878 | N2TA,N2TB |
| | 36120-ZE6-010 | | 1 | - | - | N1GA |
| 14 | 36120-ZE6-010 | SPRING, SWITCH CONTROL..... | 1 | - | - | MAK,N1,N1B,N1GA,N1S,N1Y,N2,N2C,N2M,N2Y |
| | | | 1 | - | 7359878 | N2TA,N2TB |
| 15 | 90014-952-000 | BOLT, FLANGE, 6X14 (CT200).... | 2 | - | - | A1,A1B,A1K,A1K6,A1Y,A2,A2C,A2G,A2Y,A2YC,MAK,N1,N1B,N1GA,N1S,N1Y N2,N2C,N2M,N2Y |
| | | | 2 | - | 7359878 | N2TA,N2TB |
| 16 | 90015-ZE5-010 | BOLT, GOVERNOR ARM..... | 1 | - | - | A1,A1B,A1K,A1K6,A1Y,A2,A2C,A2G,A2Y,A2YC,MAK,N1,N1B,N1GA,N1S,N1Y N2,N2C,N2M,N2Y |
| | | | 1 | - | 7359878 | N2TA,N2TB |
| 17 | 90628-ZC0-701 | CLIP (2.9MM)..... | 1 | - | - | A1,A1B,A1K,A1K6,A1Y,A2,A2C,A2G,A2Y,A2YC |
| 18 | 93500-04008-0A | SCREW, PAN, 4X8..... | 1 | - | - | MAK,N1,N1B,N1GA,N1S,N1Y,N2,N2C,N2M,N2Y |
| | | | 1 | - | 7359878 | N2TA,N2TB |

| Ref. No. | Part No. | Description | Reqd. QTY | | Serial No. | Type |
|----------|----------------|----------------------------|--------------------|---|------------|---|
| | | | 6XV110 (USA) (FRN) | | | |
| 19 | 93500-05016-0A | SCREW, PAN, 5X16..... | 1 | - | ----- | A1,A1B,A1K,A1K6,A1Y,A2,A2C,A2G,A2Y,A2YC,MAK,N1,N1B,N1GA,N1S,N1Y N2,N2C,N2M,N2Y |
| | | | 1 | - | 7359878 | N2TA,N2TB |
| 20 | 93500-05020-0A | SCREW, PAN, 5X20..... | 1 | - | ----- | A1,A1B,A1K,A1K6,A1Y,A2,A2C,A2G,A2Y,A2YC,MAK,N1,N1B,N1GA,N1S,N1Y N2,N2C,N2M,N2Y |
| | | | 1 | - | 7359878 | N2TA,N2TB |
| 21 | 93500-05025-0A | SCREW, PAN, 5X25..... | 1 | - | ----- | A1K,A1K6,A2G,MAK,N2M |
| | | | 1 | - | 7359878 | N2TA,N2TB |
| | 90016-ZG9-N30 | SCREW, RECESSED, 5X25..... | 1 | - | ----- | A1B,A1Y,A2C,A2Y,A2YC,N1B,N1GA,N1S,N1Y,N2C,N2Y |
| | 93500-05025-0A | SCREW, PAN, 5X25..... | 1 | - | ----- | A1,A2,N1,N2 |
| 22 | 93893-04012-00 | SCREW-WASHER, 4X12..... | 1 | - | ----- | A1,A1B,A1K,A1K6,A1Y,A2,A2C,A2G,A2Y,A2YC |
| 23 | 94050-06000 | NUT, FLANGE, 6MM..... | 1 | - | ----- | A1,A1B,A1K,A1K6,A1Y,A2,A2C,A2G,A2Y,A2YC,MAK,N1,N1B,N1GA,N1S,N1Y N2,N2C,N2M,N2Y |
| | | | 1 | - | 7359878 | N2TA,N2TB |
| 24 | 95701-06010-00 | BOLT, FLANGE, 6X10..... | 2 | - | ----- | A1B,MAK,N1B |

2

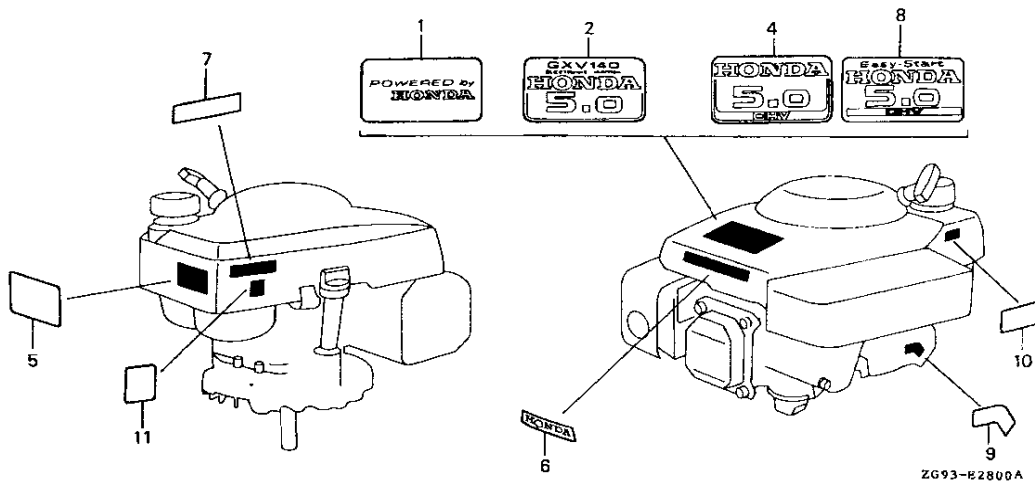


| Service Item | F.R.T. |
|----------------------------|--------|
| CONTROL ASSY..... | 0.3 |
| .ARM COMP., GOVERNOR | |
| .ROD, GOVERNOR | |
| .SPRING, THROTTLE RETURN | |
| .CONTROL COMP. | |
| SPRING, GOVERNOR..... | 0.1 |
| .SPRING, LEVER | |
| .BRACKET, FUEL COCK | |
| ROD, CHOKE..... | 0.2 |
| .COCK ASSY., FUEL | |
| .SWITCH ASSY., ENGINE STOP | |

| Ref. No. | Part No. | Description | Reqd. QTY | | Serial No. | Type |
|----------|---------------|--------------------------------|-----------|-----|------------|--|
| | | | USA | FRN | | |
| 1 | 16500-ZG9-P30 | CONTROL ASSY..... | - | 1 | ----- | N21 |
| | 16500-ZG9-830 | CONTROL ASSY. (EN)..... | - | 1 | 8248059 | A11,A21 |
| | 16500-ZG9-L20 | CONTROL ASSY..... | 1 | - | ----- | MAH,MAJ,N1SA,N1U,N2V |
| | | | 1 | - | 7359879 | N2TA,N2TB |
| | | | 1 | - | 8248060 | A11,A21 |
| 2 | 16500-ZG9-P70 | CONTROL ASSY. (SEL)..... | - | 1 | ----- | N1KA,N1KC |
| 3 | 16551-ZE6-U40 | ARM COMP., GOVERNOR (C,G)..... | - | 1 | ----- | MAH,MAJ,N1KA,N1KC,N1SA,N1U,N2V |
| | 16551-ZE6-000 | ARM COMP., GOVERNOR..... | 1 | - | ----- | N2TA,N2TB |
| | | | 1 | - | 7359879 | A11,A21,MAH,MAJ,N1KA,N1KC,N1SA,N1U,N2V,N21 |
| 4 | 16555-ZE6-000 | ROD, GOVERNOR..... | 1 | 1 | ----- | N2TA,N2TB |
| | | | 1 | - | 7359879 | A11,A21,MAH,MAJ,N1SA,N1U,N2V,N21 |
| 5 | 16561-ZE6-010 | SPRING, GOVERNOR..... | 1 | 1 | ----- | N2TA,N2TB |
| | | | 1 | - | 7359879 | A11,A21,MAH,MAJ,N1SA,N1U,N2V,N21 |
| | 16561-ZG9-U70 | SPRING, GOVERNOR (KARCHER).... | 1 | - | ----- | N2TA,N2TB |
| | | | 1 | - | ----- | N1KA,N1KC |
| 6 | 16562-ZE6-000 | SPRING, THROTTLE RETURN..... | 1 | 1 | ----- | A11,A21,MAH,MAJ,N1KA,N1KC,N1SA,N1U,N2V,N21 |
| | | | 1 | - | 7359879 | N2TA,N2TB |
| 7 | 16570-ZE6-640 | CONTROL COMP..... | 1 | - | ----- | N1KA,N1KC |
| 8 | 16573-ZE6-010 | ROD, CHOKE..... | 1 | 1 | ----- | A11,A21,MAH,MAJ,N1KA,N1KC,N1SA,N1U,N2V,N21 |
| | | | 1 | - | 7359879 | N2TA,N2TB |
| 9 | 16574-ZG9-M00 | SPRING, LEVER..... | 1 | 1 | ----- | MAH,MAJ,N1SA,N1U,N2V,N21 |
| | | | 1 | - | 7359879 | N2TA,N2TB |
| | | | - | 1 | 8248059 | A11,A21 |
| 10 | 16576-891-000 | HOLDER, CABLE..... | 1 | 1 | ----- | MAH,MAJ,N1KA,N1KC,N1SA,N1U,N2V,N21 |
| | | | 1 | - | 7359879 | N2TA,N2TB |
| | | | - | 1 | 8248059 | A11,A21 |

| Ref. No. | Part No. | Description | Reqd. QTY | | Serial No. | Type |
|----------|----------------|--------------------------------|--------------------|---|------------|--|
| | | | 6XV140 (USA) (FRN) | | | |
| 11 | 16584-883-300 | SPRING, CONTROL ADJUSTING..... | 2 | 2 | ----- | MAH,MAJ,N1SA,N1U,N2V,N21 |
| | | | 1 | - | ----- | N1KA,N1KC |
| | | | 2 | - | 7359879 | N2TA,N2TB |
| | | | - | 2 | ----- | 8248059 A11,A21 |
| 12 | 16599-ZG1-M10 | COLLAR, STOPPER..... | - | 1 | ----- | 8248059 A11,A21 |
| 13 | 16950-ZG9-M00 | COCK ASSY., FUEL..... | - | 1 | ----- | 8248059 A11,A21 |
| | | | - | 1 | ----- | N21 |
| 14 | 17100-ZE6-000 | PROTECTOR, CONTROL..... | 1 | - | ----- | MAH,MAJ,N1KA,N1KC |
| 15 | 36100-ZE6-003 | SWITCH ASSY., ENGINE STOP..... | 1 | - | ----- | N1KA,N1KC |
| | 36100-ZG9-P31 | | - | 1 | ----- | N21 |
| | 36100-ZG9-821 | | 1 | - | ----- | MAH,MAJ,N1SA,N1U,N2V |
| | | | 1 | - | 7359879 | N2TA,N2TB |
| 16 | 36120-ZE6-010 | SPRING, SWITCH CONTROL..... | 1 | 1 | ----- | MAH,MAJ,N1KA,N1KC,N1SA,N1U,N2V,N21 |
| | | | 1 | - | 7359879 | N2TA,N2TB |
| 17 | 90014-952-000 | BOLT, FLANGE, 6X14 (CT200).... | 2 | 2 | ----- | A11,A21,MAH,MAJ,N1SA,N1U,N2V,N21 |
| | | | 1 | - | ----- | N1KA,N1KC |
| | | | 2 | - | 7359879 | N2TA,N2TB |
| 18 | 90015-ZE5-010 | BOLT, GOVERNOR ARM..... | 1 | 1 | ----- | A11,A21,MAH,MAJ,N1KA,N1KC,N1SA,N1U,N2V,N21 |
| | | | 1 | - | 7359879 | N2TA,N2TB |
| 19 | 93500-04008-0A | SCREW, PAN, 4X8..... | 1 | 1 | ----- | MAH,MAJ,N1KA,N1KC,N1SA,N1U,N2V,N21 |
| | | | 1 | - | 7359879 | N2TA,N2TB |
| 20 | 93500-05016-0A | SCREW, PAN, 5X16..... | 1 | 1 | ----- | MAH,MAJ,N1KA,N1KC,N1SA,N1U,N2V,N21 |
| | | | 1 | - | 7359879 | N2TA,N2TB |
| | | | - | 1 | ----- | 8248059 A11,A21 |
| 21 | 93500-05020-0A | SCREW, PAN, 5X20..... | 1 | 1 | ----- | MAH,MAJ,N1KA,N1KC,N1SA,N1U,N2V,N21 |
| | | | 1 | - | 7359879 | N2TA,N2TB |
| | | | - | 1 | ----- | 8248059 A11,A21 |
| 22 | 93500-05025-0A | SCREW, PAN, 5X25..... | 1 | 1 | ----- | MAH,MAJ,N1SA,N1U,N2V,N21 |
| | | | 1 | - | 7359879 | N2TA,N2TB |
| | 90016-ZG9-N30 | SCREW, RECESSED, 5X25..... | - | 1 | ----- | 8248059 A11,A21 |
| 23 | 93892-05012-00 | SCREW-WASHER, 5X12..... | - | 1 | ----- | 8248059 A11,A21 |
| | | | - | 1 | ----- | N21 |
| 24 | 94050-06000 | NUT, FLANGE, 6MM..... | 1 | 1 | ----- | A11,A21,MAH,MAJ,N1KA,N1KC,N1SA,N1U,N2V,N21 |
| | | | 1 | - | 7359879 | N2TA,N2TB |
| 25 | 95701-06010-00 | BOLT, FLANGE, 6X10..... | 2 | - | ----- | MAH,MAJ,N1KA,N1KC |
| 26 | 16950-ZG9-M02 | COCK ASSY., FUEL (MAN)..... | 1 | - | ----- | MAH,MAJ,N1SA,N1U,N2V |
| | | | 1 | - | 7359879 | N2TA,N2TB |
| | | | - | 1 | 8248060 | A11,A21 |
| 27 | 16956-ZG9-M00 | BRACKET, FUEL COCK..... | 1 | - | ----- | MAH,MAJ,N1SA,N1U,N2V |
| | | | 1 | - | 7359879 | N2TA,N2TB |
| | | | - | 1 | 8248060 | A11,A21 |
| 28 | 90006-ZG9-M00 | SCREW, SHOULDER, 5X12..... | 1 | - | ----- | MAH,MAJ,N1SA,N1U,N2V |
| | | | 1 | - | 7359879 | N2TA,N2TB |
| | | | - | 1 | 8248060 | A11,A21 |
| 29 | 90029-888-000 | BOLT, FLANGE, 6X16..... | 1 | - | ----- | N1KA,N1KC |

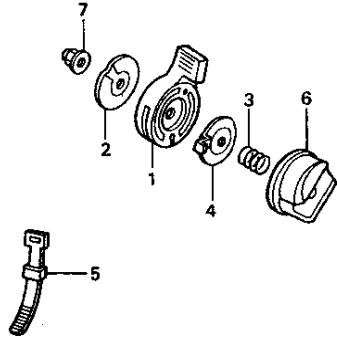
2



Service Item F.R.T.

ZG93-E2800A

| Ref. No. | Part No. | Description | Reqd. QTY | | Serial No. | Type |
|----------|---------------|-----------------------------|--------------------|---|------------|---|
| | | | GXV140 (USA) (FRN) | | | |
| 1 | 87101-ZG9-U20 | EMBLEM (PBH)..... | 1 | - | ----- | A1B,N1B,N1S |
| 2 | 87101-ZG9-800 | EMBLEM (GXV140 5.0)..... | 1 | - | ----- | A1,A1Y,A2,A2G,A2Y,N1,N1Y,N2,N2M,N2TA,N2TB,N2Y |
| 4 | 87101-ZG9-850 | EMBLEM (5.0)..... | 1 | 1 | ----- | A1B,A1Y,A11,A2G,A2Y,A2YC,A21,MAK,N1B,N1GA,N1S,N1Y,N2M,N2TA,N2TB,N2Y,N21 |
| 5 | 87516-VA9-B50 | MARK, OPERATOR CAUTION..... | 1 | - | ----- | A1B,A1Y,A2Y,A2YC,MAK,N1B,N1GA,N1S,N1Y,N2Y |
| 6 | 87531-VE0-B50 | MARK, HONDA..... | - | 1 | ----- | |
| 7 | 87531-ZG9-800 | MARK, HONDA..... | (1) | - | ----- | A1,A2,N1,N2 |
| | | | 1 | - | ----- | A1K,N1KA |
| 8 | 87101-ZG9-811 | EMBLEM (5.0) (AH)..... | 1 | - | ----- | A1,A1K,A1K6,A2,N1,N1KA,N1KC,N1SA,N1U,N2,N2V |
| 9 | 87523-ZE6-000 | MARK, CONTROL..... | 1 | - | ----- | N1KA,N1KC |
| 10 | 87586-ZH7-W00 | LABEL, FUEL CAUTION..... | 1 | - | ----- | A1,A1K,A2,N1,N1KA,N2 |
| 11 | 87594-VA9-000 | MARK, OIL CAUTION..... | 1 | - | ----- | N1KA,N1KC |



ZG98-B4000

Z633E4000

| Service Item | F.R.T. |
|-------------------------|--------|
| LEVER, THROTTLE..... | 0.1 |
| .SPRING, THROTTLE LEVER | |

| Ref. No. | Part No. | Description | Reqd. QTY | | Serial No. | Type |
|----------|---------------|-----------------------------|--------------|-------|------------|------|
| | | | GXV140 (USA) | (FRN) | | |
| 1 | 17851-VA4-000 | LEVER, THROTTLE..... | 1 | - | ----- | N2TB |
| 2 | 17857-VA4-000 | PLATE, THROTTLE LEVER..... | 1 | - | ----- | N2TB |
| 3 | 17858-VA4-000 | SPRING, THROTTLE LEVER..... | 1 | - | ----- | N2TB |
| 4 | 17859-VA4-000 | SEAT, SPRING..... | 1 | - | ----- | N2TB |
| 5 | 32161-404-000 | BAND B1, WIRE..... | 2 | - | ----- | N2TB |
| 6 | 54231-VA4-000 | COVER, CONTROL..... | 1 | - | ----- | N2TB |
| 7 | 90201-415-000 | NUT, CAP, 6MM..... | 1 | - | ----- | N2TB |

2

Service Item F.R.T.

2

| Ref. No. | Part No. | Description | Reqd. QTY | | Serial No. | Type |
|----------|---------------|--------------------------------|--------------|-------|------------|--|
| | | | GXV140 (USA) | (FRN) | | |
| | 061C1-ZG9-T00 | GASKET KIT..... | 1 | 1 | ----- | A1,A1K6,A11,A2,A2YC,A21,MAH,MAJ,N1,N1GA,N1KA,N1SA,N2,N21 |
| | 06111-ZG9-L00 | | | | | |
| | | (COMPONENT PARTS) | 1 | - | ----- | A1B,A1K,A1Y,A2C,A2G,A2Y,N1B,N1S,N1Y,N2C,N2M,N2TA,N2TB,N2Y |
| 1 | 11381-ZG9-T00 | PACKING, OIL PAN (HPE)..... | 1 | 1 | ----- | A1,A1B,A1K,A1K6,A1Y,A11,A2,A2C,A2G,A2Y,A2YC,A21,MAH,MAJ,N1,N1B,N1GA,N1KA,N1S,N1SA,N1Y,N2,N2C,N2M,N2TA,N2TB,N2Y,N21 |
| 2 | 12251-ZG9-000 | GASKET, CYLINDER HEAD..... | 1 | 1 | ----- | A1,A1B,A1K,A1K6,A1Y,A11,A2,A2C,A2G,A2Y,A2YC,A21,MAH,MAJ,N1,N1B,N1GA,N1KA,N1S,N1SA,N1Y,N2,N2C,N2M,N2TA,N2TB,N2Y,N21 |
| 3 | 12373-ZE6-000 | PACKING, BREATHER CHAMBER..... | 1 | 1 | ----- | A1,A1B,A1K,A1K6,A1Y,A11,A2,A2C,A2G,A2Y,A2YC,A21,MAH,MAJ,N1,N1B,N1GA,N1KA,N1S,N1SA,N1Y,N2,N2C,N2M,N2TA,N2TB,N2Y,N21 |
| 4 | 12391-ZE7-T00 | PACKING, HEAD COVER (HPE)..... | 1 | 1 | ----- | A1,A1K6,A11,A2,A21,MAH,MAJ,N1,N1GA,N1KA,N1SA,N2,N21 |
| 5 | 16212-ZG9-T00 | PACKING, CARBURETOR (HPE)..... | 1 | 1 | ----- | A1,A1B,A1K,A1K6,A1Y,A11,A2,A2C,A2G,A2Y,A2YC,A21,MAH,MAJ,N1,N1B,N1GA,N1KA,N1S,N1SA,N1Y,N2,N2C,N2M,N2TA,N2TB,N2Y,N21 |
| 6 | 16221-ZG9-T00 | PACKING, CARBURETOR (HPE)..... | 1 | 1 | ----- | A1,A1B,A1K,A1K6,A1Y,A11,A2,A2C,A2G,A2Y,A2YC,A21,MAH,MAJ,N1,N1B,N1GA,N1KA,N1S,N1SA,N1Y,N2,N2C,N2M,N2TA,N2TB,N2Y,N21 |
| 7 | 18381-ZG9-M00 | GASKET, MUFFLER..... | 1 | 1 | ----- | A1,A1B,A1K,A1K6,A1Y,A11,A2,A2C,A2G,A2Y,A2YC,A21,MAH,MAJ,N1,N1B,N1GA,N1KA,N1S,N1SA,N1Y,N2,N2C,N2M,N2TA,N2TB,N2Y,N21 |
| 8 | 91301-ZE9-003 | O-RING, 22.5X2.2..... | 1 | 1 | ----- | A1,A1B,A1K,A1K6,A1Y,A11,A2,A2C,A2G,A2Y,A2YC,A21,MAH,MAJ,N1,N1B,N1GA,N1KA,N1S,N1SA,N1Y,N2,N2C,N2M,N2TA,N2TB,N2Y,N21 |
| 9 | 91301-805-000 | O-RING, 26X2.7..... | 1 | 1 | ----- | A1,A1B,A1K,A1K6,A1Y,A11,A2,A2C,A2G,A2Y,A2YC,A21,MAH,MAJ,N1,N1B,N1GA,N1KA,N1S,N1SA,N1Y,N2,N2C,N2M,N2TA,N2TB,N2Y,N21 |
| 10 | 90601-ZE1-000 | WASHER, DRAIN PLUG, 10.2MM.... | 1 | - | ----- | A1B,A1K,A1Y,A2C,A2G,A2Y,N1B,N1S,N1Y,N2C,N2M,N2TA,N2TB,N2Y |

| Address Page | | | Address Page | | | Address Page | | | Address Page | | | Address Page | | | Address Page | | | | |
|---------------|-----|-----|---------------|-----|-----|---------------|-----|-----|-----------------|-----|-----|-----------------|-----|-----|--------------|-----|---------------|-----|----|
| Part No. | No. | No. | Part No. | No. | No. | Part No. | No. | No. | Part No. | No. | No. | Part No. | No. | No. | Part No. | No. | No. | | |
| 06000 | | | 13111-ZE0-000 | C4 | 16 | 16045-ZE7-005 | C11 | 23 | 16573-ZE6-010 | D5 | 33 | | | | | | | | |
| | | | 13200-ZE6-010 | C4 | 16 | 16100-ZG9-M11 | C13 | 25 | | D8 | 36 | 18435-ZE7-W40 | D2 | 30 | | | 31000 | | |
| 061C1-ZG9-T00 | D12 | 40 | 13310-ZG9-M10 | C4 | 16 | 16100-ZG9-M10 | C13 | 25 | 16574-ZG9-M00 | D6 | 34 | | | | | | 31100-ZE6-T01 | D3 | 31 |
| 06111-ZG9-L00 | D12 | 40 | 13310-ZG9-U70 | C4 | 16 | 16100-ZG9-M11 | C13 | 25 | | D8 | 36 | 19000 | | | | | 31105-ZG9-800 | D3 | 31 |
| 06180-ZE6-820 | D2 | 30 | 13310-ZG9-V91 | C4 | 16 | 16100-ZG9-800 | C11 | 23 | 16576-891-000 | D6 | 34 | | | | | | | | |
| | | | 13310-ZG9-800 | C4 | 16 | 16100-ZG9-801 | C11 | 23 | | D8 | 36 | 19511-ZE6-T00 | D3 | 31 | | | | | |
| 11000 | | | 13310-ZG9-810 | C4 | 16 | 16100-ZG9-802 | C11 | 23 | 16584-883-300 | D6 | 34 | 19610-ZG9-M70 | C7 | 19 | | | 32000 | | |
| | | | 13331-357-000 | D3 | 31 | 16100-ZG9-803 | C11 | 23 | | D9 | 37 | 19610-ZG9-M90 | C7 | 19 | | | 32161-404-000 | D11 | 39 |
| | | | | | | 16124-ZE0-005 | C11 | 23 | 16599-ZG1-M10 | D6 | 34 | 19610-ZG9-P30 | C7 | 19 | | | | | |
| 11300-ZG9-N20 | C3 | 15 | 14000 | | | | C13 | 25 | | D9 | 37 | 19610-ZG9-V40 | C7 | 19 | | | 35000 | | |
| 11300-ZG9-S00 | C3 | 15 | | | | 16166-ZG9-M11 | C13 | 25 | 16950-ZG9-M00 | D9 | 37 | 19610-ZG9-800ZA | C7 | 19 | | | | | |
| 11300-ZG9-U70 | C2 | 14 | | | | 16166-ZG9-800 | C11 | 23 | 16950-ZG9-M02 | D9 | 37 | 19610-ZG9-800ZC | C7 | 19 | | | 35129-ZG9-800 | D3 | 31 |
| 11300-ZG9-V51 | C2 | 14 | 14100-ZE6-W00 | C5 | 17 | 16166-ZG9-801 | C11 | 23 | 16953-ZE1-812 | C11 | 23 | 19610-ZG9-800ZD | C8 | 20 | | | | | |
| 11300-ZG9-800 | C2 | 14 | 14100-ZE6-772 | C5 | 17 | 16211-ZG9-000 | C11 | 23 | 16954-ZE1-812 | C11 | 23 | 19610-ZG9-800ZE | C8 | 20 | | | 36000 | | |
| 11381-ZG9-T00 | C2 | 14 | 14100-ZG9-800 | C5 | 17 | 16212-ZG9-T00 | C11 | 23 | 16956-ZE1-811 | C11 | 23 | 19610-ZG9-801ZA | C8 | 20 | | | | | |
| | D12 | 40 | 14410-ZE0-010 | C5 | 17 | | C14 | 26 | 16956-ZG9-M00 | D9 | 37 | 19610-ZG9-801ZC | C8 | 20 | | | 36100-ZE6-003 | D6 | 34 |
| | | | 14431-ZE1-000 | C5 | 17 | | D12 | 40 | 16957-ZE1-812 | C11 | 23 | 19610-ZG9-801ZD | C8 | 20 | | | | | |
| | | | 14441-ZE1-010 | C5 | 17 | 16220-ZE6-010 | C11 | 23 | 17000 | | | 19610-ZG9-801ZE | C8 | 20 | | | 36100-ZG9-M91 | D3 | 31 |
| | | | 14451-ZE1-013 | C5 | 17 | | C14 | 26 | | | | 19615-ZG9-M00 | C8 | 20 | | | 36100-ZG9-P31 | D9 | 37 |
| 12100-ZG9-405 | C2 | 14 | 14568-ZE1-000 | C5 | 17 | 16221-ZG9-T00 | C11 | 23 | 17100-ZE6-000 | D6 | 34 | 19615-ZG9-V40 | C8 | 20 | | | 36100-ZG9-811 | D3 | 31 |
| 12125-ZG9-000 | C2 | 14 | 14568-ZG9-800 | C5 | 17 | | C14 | 26 | | D9 | 37 | 19615-ZG9-800ZB | C8 | 20 | | | 36100-ZG9-821 | D6 | 34 |
| 12126-ZG9-M30 | C2 | 14 | 14711-ZG9-801 | C5 | 17 | | D12 | 40 | 17211-ZG9-M00 | D1 | 29 | 19615-ZG9-801ZA | C8 | 20 | | | | | |
| 12127-ZG9-800 | C2 | 14 | 14711-ZG9-810 | C5 | 17 | 16500-ZG9-L00 | D5 | 33 | 17211-ZG9-800 | C16 | 28 | 19615-ZG9-801ZB | C8 | 20 | | | 36120-ZE6-010 | D6 | 34 |
| 12200-ZG9-P40 | C1 | 13 | 14721-ZG9-801 | C5 | 17 | 16500-ZG9-L20 | D8 | 36 | 17216-PE2-003 | C7 | 19 | 19615-ZG9-801ZC | C8 | 20 | | | | | |
| 12200-ZG9-800 | C1 | 13 | 14721-ZG9-810 | C5 | 17 | 16500-ZG9-P30 | D8 | 36 | 17218-ZG9-M00 | D1 | 29 | 19616-ZG9-M90 | C8 | 20 | | | | | |
| 12205-ZE1-315 | C1 | 13 | 14751-ZE1-000 | C5 | 17 | 16500-ZG9-P70 | D8 | 36 | 17220-ZG9-M00 | D1 | 29 | | | | | | 54000 | | |
| 12216-ZE5-300 | C1 | 13 | 14751-ZF1-000 | C5 | 17 | 16500-ZG9-U20 | D5 | 33 | 17231-ZG9-M00 | D1 | 29 | 23000 | | | | | 54231-VA4-000 | D11 | 39 |
| 12251-ZG9-000 | C1 | 13 | 14771-ZE1-T01 | C5 | 17 | 16500-ZG9-U70 | D8 | 36 | 17231-ZG9-800 | D1 | 29 | | | | | | | | |
| | D12 | 40 | 14791-ZE0-010 | C5 | 17 | 16500-ZG9-U90 | D5 | 33 | 17231-ZG9-800ZA | C16 | 28 | 23411-ZE6-000 | C3 | 15 | | | 75000 | | |
| | | | | | | 16500-ZG9-800 | D5 | 33 | 17231-ZG9-800ZC | C16 | 28 | 23421-ZE6-000 | C3 | 15 | | | | | |
| 12311-ZG9-800 | C1 | 13 | 15000 | | | 16500-ZG9-810 | D5 | 33 | 17231-ZG9-800ZD | C16 | 28 | | | | | | 75101-ZG9-M90 | D3 | 31 |
| 12360-ZE6-000 | C2 | 14 | | | | 16500-ZG9-830 | D8 | 36 | 17231-ZG9-800ZE | C16 | 28 | 28000 | | | | | 75101-ZG9-801 | D3 | 31 |
| 12367-ZE6-010 | C2 | 14 | 15620-ZE6-810 | C2 | 14 | 16510-ZE6-000 | C2 | 14 | 17240-ZE6-000 | C3 | 15 | | | | | | 75113-ZG9-800 | D3 | 31 |
| 12372-879-000 | C2 | 14 | 15630-ZE6-810 | C2 | 14 | 16511-ZE1-000 | C2 | 14 | 17410-ZG9-800 | C7 | 19 | 28400-ZG9-N11 | C6 | 18 | | | 75114-ZG9-800 | D3 | 31 |
| 12373-ZE6-000 | C2 | 14 | 15721-ZE6-010 | C7 | 19 | 16512-ZE6-000 | C2 | 14 | 17522-ZG9-M00 | C7 | 19 | 28400-ZG9-803 | C6 | 18 | | | 75120-ZG9-801 | D3 | 31 |
| | D12 | 40 | 15721-ZG9-M00 | D1 | 29 | 16513-ZE1-000 | C2 | 14 | 17522-ZG9-M10 | C7 | 19 | 28402-ZG9-802 | C6 | 18 | | | 75123-ZG9-800 | D3 | 31 |
| 12385-ZE6-000 | C2 | 14 | 16000 | | | 16515-ZE6-000 | C2 | 14 | 17523-ZG9-M00 | C14 | 26 | 28415-ZG9-802 | C6 | 18 | | | 75133-960-000 | C9 | 21 |
| 12391-ZE7-T00 | C1 | 13 | | | | 16525-ZE6-010 | C2 | 14 | 17620-ZG9-000 | C7 | 19 | 28419-ZG9-802 | C6 | 18 | | | | | |
| | D12 | 40 | 16010-ZB1-015 | C13 | 25 | 16531-ZE1-000 | C2 | 14 | 17622-888-010 | C7 | 19 | 28431-ZG9-802 | C6 | 18 | | | 87000 | | |
| 12391-ZG9-800 | C1 | 13 | 16010-ZE0-025 | C10 | 22 | 16541-ZE7-000 | C3 | 15 | 17624-ZE7-000 | C7 | 19 | 28432-ZG9-802 | C6 | 18 | | | | | |
| | | | 16010-ZG9-800 | C10 | 22 | 16551-ZE6-000 | D5 | 33 | 17701-ZG9-800 | C7 | 19 | 28441-ZG9-802 | C6 | 18 | | | 87101-ZG9-U20 | D10 | 38 |
| | | | 16011-ZE0-005 | C10 | 22 | 16555-ZE6-000 | D5 | 33 | 17851-VA4-000 | D11 | 39 | 28444-ZG9-802 | C6 | 18 | | | 87101-ZG9-800 | D10 | 38 |
| 13010-ZG9-T00 | C4 | 16 | | | | 16561-ZE6-010 | D5 | 33 | 17857-VA4-000 | D11 | 39 | 28451-ZE6-T03 | D3 | 31 | | | 87101-ZG9-811 | D10 | 38 |
| 13010-ZG9-003 | C4 | 16 | 16013-ZE0-005 | C10 | 22 | | D8 | 36 | 17858-VA4-000 | D11 | 39 | 28461-ZE6-T02 | C6 | 18 | | | 87101-ZG9-850 | D10 | 38 |
| 13011-ZG9-T00 | C4 | 16 | 16015-ZE0-831 | C10 | 22 | 16566-ZG9-M90 | D3 | 31 | 17859-VA4-000 | D11 | 39 | 28461-ZE7-T00 | C6 | 18 | | | 87516-VA9-B50 | D10 | 38 |
| 13011-ZG9-003 | C4 | 16 | | | | 16566-ZG9-800 | D3 | 31 | | | | 28462-ZG9-802 | C6 | 18 | | | 87523-ZE6-000 | D10 | 38 |
| 13011-ZG9-004 | C4 | 16 | | | | 16570-ZE6-U50 | D5 | 33 | 18000 | | | 28463-ZE6-T02 | C6 | 18 | | | 87531-VE0-B50 | D10 | 38 |
| 13012-ZG9-T00 | C4 | 16 | 16015-ZG9-800 | C10 | 22 | 16570-ZE6-640 | D8 | 36 | | | | 28485-ZE6-T02 | C6 | 18 | | | 87531-ZG9-800 | D10 | 38 |
| 13012-ZG9-003 | C4 | 16 | 16016-ZA0-931 | C15 | 27 | 16570-ZG9-U20 | D5 | 33 | 18292-ZE7-M10 | D2 | 30 | 28486-ZE6-T02 | C6 | 18 | | | 87586-ZH7-W00 | D10 | 38 |
| 13012-ZG9-004 | C4 | 16 | 16016-ZH7-W01 | C10 | 22 | 16570-ZG9-810 | D5 | 33 | 18310-ZG9-J01 | D2 | 30 | | | | | | 87594-VA9-000 | D10 | 38 |
| 13013-ZG9-T00 | C4 | 16 | 16016-ZH8-W01 | C13 | 25 | | D8 | 36 | 18310-ZG9-M11 | D2 | 30 | 30000 | | | | | | | |
| 13013-ZG9-003 | C4 | 16 | 16024-ZE1-811 | C10 | 22 | | D3 | 31 | 18320-ZG9-M01 | D2 | 30 | | | | | | 90000 | | |
| 13013-ZG9-004 | C4 | 16 | | | | | D3 | 31 | 18320-ZG9-M11 | D2 | 30 | 30500-ZG9-M02 | C8 | 20 | | | 90001-ZE1-000 | C4 | 16 |
| 13101-ZG9-000 | C4 | 16 | 16028-ZE0-005 | C11 | 23 | | D5 | 33 | 18355-888-810 | D2 | 30 | 30500-ZG9-801 | C8 | 20 | | | 90004-ZG9-M00 | C16 | 28 |
| 13102-ZG9-000 | C4 | 16 | 16044-ZE7-005 | C13 | 25 | | D8 | 36 | 18381-ZE6-820 | D2 | 30 | 30700-ZE6-023 | C8 | 20 | | | | | |
| 13103-ZG9-000 | C4 | 16 | 16045-ZE6-005 | C13 | 25 | | D5 | 33 | | | | | | | | | | | |
| 13104-ZG9-000 | C4 | 16 | | | | | D5 | 33 | | | | | | | | | | | |

| Address Page | | | Address Page | | | Address Page | | | Address Page | | | Address Page | | |
|---------------|-----|-----|----------------|-----|-----|----------------|-----|-----|--------------|-----|-----|--------------|-----|-----|
| Part No. | No. | No. | Part No. | No. | No. | Part No. | No. | No. | Part No. | No. | No. | Part No. | No. | No. |
| 90006-ZG9-M00 | D9 | 37 | 91643-SJ8-000 | C9 | 21 | 99000 | | | | | | | | |
| 90012-ZE0-010 | C5 | 17 | | | | | | | | | | | | |
| 90013-ZG9-T00 | C1 | 13 | 93000 | | | 99101-ZH7-0520 | C12 | 24 | | | | | | |
| 90013-883-000 | C3 | 15 | | | | 99101-ZH7-0550 | C12 | 24 | | | | | | |
| 90014-952-000 | C3 | 15 | 93500-03006-1H | C11 | 23 | 99101-ZH7-0580 | C12 | 24 | | | | | | |
| | D3 | 31 | 93500-04006-0A | D4 | 32 | 99101-ZH7-0600 | C12 | 24 | | | | | | |
| | D6 | 34 | 93500-04008-0A | D4 | 32 | 99101-ZH8-0500 | C14 | 26 | | | | | | |
| | D9 | 37 | | D6 | 34 | 99101-ZH8-0520 | C12 | 24 | | | | | | |
| 90015-ZE5-010 | D6 | 34 | | D9 | 37 | | C14 | 26 | | | | | | |
| | D9 | 37 | 93500-05012-0A | D4 | 32 | 99101-ZH8-0550 | C12 | 24 | | | | | | |
| 90016-ZG9-N30 | D7 | 35 | 93500-05016-0A | D7 | 35 | | C14 | 26 | | | | | | |
| | D9 | 37 | | D9 | 37 | 99101-ZH8-0580 | C12 | 24 | | | | | | |
| 90017-883-000 | C3 | 15 | 93500-05020-0A | D7 | 35 | 99204-ZE0-0350 | C15 | 27 | | | | | | |
| | C9 | 21 | | D9 | 37 | 99204-ZE2-0380 | C12 | 24 | | | | | | |
| 90029-888-000 | D3 | 31 | 93500-05025-0A | D7 | 35 | 99204-ZE2-0400 | C12 | 24 | | | | | | |
| | D9 | 37 | | D9 | 37 | | | | | | | | | |
| 90041-ZG9-M00 | C9 | 21 | 93892-05012-00 | D9 | 37 | | | | | | | | | |
| 90041-ZG9-800 | C9 | 21 | 93893-04012-00 | D7 | 35 | | | | | | | | | |
| 90042-ZG9-M00 | C9 | 21 | 93913-24580 | C9 | 21 | | | | | | | | | |
| 90042-ZG9-800 | C9 | 21 | | | | | | | | | | | | |
| 90121-952-000 | C9 | 21 | 94000 | | | | | | | | | | | |
| 90131-ZE1-000 | C3 | 15 | | | | | | | | | | | | |
| 90201-415-000 | D11 | 39 | 94050-06000 | C9 | 21 | | | | | | | | | |
| 90201-878-003 | D3 | 31 | | D1 | 29 | | | | | | | | | |
| 90206-ZE1-000 | C5 | 17 | | D7 | 35 | | | | | | | | | |
| 90308-SA0-981 | D2 | 30 | | D9 | 37 | | | | | | | | | |
| 90310-ZB7-701 | D3 | 31 | 94101-06000 | D2 | 30 | | | | | | | | | |
| 90331-SB2-003 | D3 | 31 | 94101-06800 | C3 | 15 | | | | | | | | | |
| 90451-898-000 | C3 | 15 | 94251-08000 | C3 | 15 | | | | | | | | | |
| 90452-166-600 | C3 | 15 | 94301-08140 | C3 | 15 | | | | | | | | | |
| 90452-187-000 | C3 | 15 | 94301-10160 | C1 | 13 | | | | | | | | | |
| 90459-357-000 | C4 | 16 | 94401-16150 | C4 | 16 | | | | | | | | | |
| 90461-357-000 | D3 | 31 | | | | | | | | | | | | |
| 90551-ZE0-000 | C4 | 16 | 95000 | | | | | | | | | | | |
| 90601-ZE1-000 | C3 | 15 | | | | | | | | | | | | |
| | D12 | 40 | 95001-45165-40 | C14 | 26 | | | | | | | | | |
| 90602-ZE1-000 | C3 | 15 | 95002-02080 | C9 | 21 | | | | | | | | | |
| 90628-ZC0-701 | D6 | 34 | | C14 | 26 | | | | | | | | | |
| 90660-ZA0-600 | D4 | 32 | 95002-02100 | C9 | 21 | | | | | | | | | |
| 90682-959-661 | C9 | 21 | | C14 | 26 | | | | | | | | | |
| 90701-ZE6-000 | C3 | 15 | 95701-06010-00 | D7 | 35 | | | | | | | | | |
| 90701-ZG9-800 | C5 | 17 | | D9 | 37 | | | | | | | | | |
| | | | 95701-06012-08 | C3 | 15 | | | | | | | | | |
| 91000 | | | 95701-06014-00 | C1 | 13 | | | | | | | | | |
| | | | 95701-06016-00 | C1 | 13 | | | | | | | | | |
| 91001-878-003 | C4 | 16 | 95701-06020-00 | C3 | 15 | | | | | | | | | |
| 91201-ZG9-U71 | C3 | 15 | 95701-06028-00 | C3 | 15 | | | | | | | | | |
| 91202-ZE6-003 | C3 | 15 | 95701-06032-00 | D1 | 29 | | | | | | | | | |
| 91205-KF0-003 | C3 | 15 | 95701-08050-00 | C1 | 13 | | | | | | | | | |
| 91231-891-003 | C3 | 15 | 95801-06085-00 | D2 | 30 | | | | | | | | | |
| 91252-888-003 | C3 | 15 | 95801-06100-00 | C9 | 21 | | | | | | | | | |
| 91301-ZE9-003 | C3 | 15 | | | | | | | | | | | | |
| | D12 | 40 | 98000 | | | | | | | | | | | |
| 91301-ZG9-800 | C9 | 21 | | | | | | | | | | | | |
| 91301-805-000 | C3 | 15 | 98079-54846 | C1 | 13 | | | | | | | | | |
| | D12 | 40 | 98079-55846 | C1 | 13 | | | | | | | | | |
| 91502-ZG9-800 | C5 | 17 | 98079-56846 | C1 | 13 | | | | | | | | | |

| Part name | Address No. | Page No. | Ref. No. | Part name | Address No. | Page No. | Ref. No. | Part name | Address No. | Page No. | Ref. No. |
|------------------------------|-------------|----------|----------|------------------------------|-------------|----------|----------|---------------------------|-------------|----------|----------|
| [J] | | | | [O] | | | | [R] | | | |
| JET SET, PILOT, #35 | C15 | 27 | 20 | O-RING, 22.5X2.2 | C3 | 15 | 33 | PULLEY COMP., STARTER | D3 | 31 | 5 |
| JET SET, PILOT, #38 | C12 | 24 | 25 | | D12 | 40 | 8 | | | | |
| JET SET, PILOT, #40 | C12 | 24 | 25 | O-RING, 26X2.7 | C3 | 15 | 34 | [R] | | | |
| JET, MAIN, #50 | C14 | 26 | 19 | | D12 | 40 | 9 | RETAINER | C6 | 18 | 8 |
| JET, MAIN, #52 | C12 | 24 | 24 | O-RING, 33.3X3.5 | C9 | 21 | 23 | RETAINER, VALVE SPRING | C5 | 17 | 12 |
| | C14 | 26 | 19 | OIL SEAL, 12X20X5 | C3 | 15 | 47 | RING SET, PISTON | C4 | 16 | 1 |
| JET, MAIN, #55 | C12 | 24 | 24 | OIL SEAL, 22X35X6 | C3 | 15 | 30 | ROD ASSY., CONNECTING | C4 | 16 | 4 |
| | C14 | 26 | 19 | OIL SEAL, 25X38X7 | C3 | 15 | 32 | ROD, CHOKE | D5 | 33 | 7 |
| JET, MAIN, #58 | C12 | 24 | 24 | OIL SEAL, 6X11X4 | C3 | 15 | 31 | | D8 | 36 | 8 |
| JET, MAIN, #60 | C12 | 24 | 24 | | | | | ROD, GOVERNOR | D5 | 33 | 3 |
| | | | | | | | | | D8 | 36 | 4 |
| [K] | | | | [P] | | | | [S] | | | |
| KEY, SPECIAL WOODRUFF, 25X18 | D3 | 31 | 1 | PACKING, BREATHER CHAMBER | C2 | 14 | 10 | ROD, GOVERNOR ARM RETURN | D3 | 31 | 2 |
| KEY, WOODRUFF, 16X15 | C4 | 16 | 9 | | D12 | 40 | 3 | | | | 3 |
| | | | | PACKING, CARBURETOR | C11 | 23 | 14 | ROD, PUSH | C5 | 17 | 3 |
| | | | | | | | | ROPE, RECOIL STARTER | C6 | 18 | 11 |
| | | | | | C14 | 26 | 13 | | | | |
| [L] | | | | | | | | | | | |
| LABEL, FUEL CAUTION | D10 | 38 | 10 | | D12 | 40 | 5 | SCREW SET | C10 | 22 | 6 |
| LEVER ASSY., BRAKE | D3 | 31 | 11 | PACKING, FUEL CAP | C7 | 19 | 6 | | C11 | 23 | 8 |
| | | | | PACKING, FUEL COCK | C11 | 23 | 20 | | C13 | 25 | 5 |
| LEVER, COCK | C11 | 23 | 17 | PACKING, HEAD COVER | C1 | 13 | 6 | SCREW SET, DRAIN | C10 | 22 | 7 |
| LEVER, THROTTLE | D11 | 39 | 1 | | D12 | 40 | 4 | | C13 | 25 | 6 |
| LIFTER, VALVE | C5 | 17 | 5 | PACKING, OIL PAN | C2 | 14 | 2 | SCREW SET, PILOT | C15 | 27 | 21 |
| | | | | | D12 | 40 | 1 | SCREW-WASHER, 4X12 | D7 | 35 | 22 |
| [M] | | | | PACKING, PROTECTOR | D2 | 30 | 2 | SCREW-WASHER, 5X12 | D9 | 37 | 23 |
| MARK, CONTROL | D10 | 38 | 9 | PAN ASSY., OIL | C2 | 14 | 1 | SCREW, PAN, 3X6 | C11 | 23 | 21 |
| MARK, HONDA | D10 | 38 | 6 | | C3 | 15 | 41 | SCREW, PAN, 4X6 | D4 | 32 | 23 |
| | | | | PIN, CENTER | C6 | 18 | 4 | SCREW, PAN, 4X8 | D4 | 32 | 24 |
| MARK, OIL CAUTION | D10 | 38 | 11 | PIN, DOWEL, 10X16 | C1 | 13 | 8 | | D6 | 34 | 18 |
| MARK, OPERATOR CAUTION | D10 | 38 | 5 | PIN, DOWEL, 8X14 | C3 | 15 | 37 | SCREW, PAN, 5X12 | D4 | 32 | 25 |
| MUFFLER COMP. | D2 | 30 | 3 | PIN, GOVERNOR WEIGHT | C2 | 14 | 17 | SCREW, PAN, 5X16 | D7 | 35 | 19 |
| | | | | PIN, LOCK, 2.0 | C3 | 15 | 46 | | D9 | 37 | 20 |
| [N] | | | | PIN, LOCK, 8MM | C3 | 15 | 36 | SCREW, PAN, 5X20 | D7 | 35 | 20 |
| NOZZLE, MAIN | C11 | 23 | 12 | PIN, PISTON | C4 | 16 | 3 | | D9 | 37 | 21 |
| | C13 | 25 | 11 | PIN, WEIGHT CENTER | C5 | 17 | 16 | SCREW, PAN, 5X25 | D7 | 35 | 21 |
| NUT, CAP, 6MM | D11 | 39 | 7 | PIPE, OIL DEFENSE | C2 | 14 | 11 | | D9 | 37 | 22 |
| NUT, FLANGE, 6MM | C9 | 21 | 26 | PISTON | C4 | 16 | 2 | SCREW, RECESSED, 5X25 | D7 | 35 | 21 |
| | D1 | 29 | 7 | PIVOT, ROCKER ARM | C5 | 17 | 6 | | D9 | 37 | 22 |
| | D7 | 35 | 23 | PLATE A, FRICTION | C6 | 18 | 5 | SCREW, SHOULDER, 5X12 | D9 | 37 | 28 |
| NUT, PIVOT ADJUSTING | C5 | 17 | 15 | PLATE A, GUIDE | C2 | 14 | 5 | SCREW, TAPPING, 4X20 | C9 | 21 | 25 |
| NUT, PUSH, 2.6 | D3 | 31 | 19 | PLATE B, FRICTION | C6 | 18 | 6 | SCREW, THROTTLE STOP | C11 | 23 | 11 |
| NUT, SELF-LOCK, 6MM | D2 | 30 | 9 | PLATE B, GUIDE | C2 | 14 | 6 | | C13 | 25 | 10 |
| NUT, SPECIAL, 14MM | D3 | 31 | 18 | PLATE, GOVERNOR SHAFT HOLDER | C2 | 14 | 19 | SEAT, SPRING | D11 | 39 | 4 |
| NUT, SPEED | D3 | 31 | 20 | PLATE, GUIDE | C2 | 14 | 4 | SHAFT, DRIVE | C3 | 15 | 42 |
| | | | | PLATE, LEVER SETTING | C11 | 23 | 18 | SHAFT, GOVERNOR ARM | C3 | 15 | 21 |
| | | | | PLATE, PUSH ROD GUIDE | C5 | 17 | 13 | SHAFT, GOVERNOR HOLDER | C2 | 14 | 18 |
| | | | | PLATE, THROTTLE LEVER | D11 | 39 | 2 | SLIDER, GOVERNOR | C2 | 14 | 20 |
| | | | | PLUG, SPARK | C1 | 13 | 11 | SPACER COMP., CARBURETOR | C11 | 23 | 15 |
| | | | | PROTECTOR COMP., MUFFLER | D2 | 30 | 4 | | C14 | 26 | 14 |
| | | | | PROTECTOR, CONTROL | D6 | 34 | 12 | SPONGE, FUEL CAP BREATHER | C7 | 19 | 5 |
| | | | | | D9 | 37 | 14 | SPRING, BRAKE ADJUSTING | D3 | 31 | 14 |
| | | | | PULLEY & SPRING ASSY. | C6 | 18 | 3 | | | | |

| Part name | Address No. | Page No. | Ref. No. | Part name | Address No. | Page No. | Ref. No. | Part name | Address No. | Page No. | Ref. No. |
|---------------------------------|-------------|----------|----------|-----------|-------------|----------|----------|-----------|-------------|----------|----------|
| SPRING, BRAKE LEVER..... | D3 | 31 | 13 | | | | | | | | |
| SPRING, COCK LEVER..... | C11 | 23 | 19 | | | | | | | | |
| SPRING, CONTROL ADJUSTING..... | D6 | 34 | 10 | | | | | | | | |
| | D9 | 37 | 11 | | | | | | | | |
| SPRING, DOG..... | C6 | 18 | 14 | | | | | | | | |
| SPRING, FRICTION..... | C6 | 18 | 7 | | | | | | | | |
| SPRING, GOVERNOR..... | D5 | 33 | 4 | | | | | | | | |
| | D8 | 36 | 5 | | | | | | | | |
| SPRING, LEVER..... | D6 | 34 | 8 | | | | | | | | |
| | D8 | 36 | 9 | | | | | | | | |
| SPRING, SWITCH CONTROL..... | D3 | 31 | 8 | | | | | | | | |
| | D6 | 34 | 14 | | | | | | | | |
| | D9 | 37 | 16 | | | | | | | | |
| SPRING, THROTTLE LEVER..... | D11 | 39 | 3 | | | | | | | | |
| SPRING, THROTTLE RETURN..... | D5 | 33 | 5 | | | | | | | | |
| | D8 | 36 | 6 | | | | | | | | |
| SPRING, VALVE..... | C5 | 17 | 11 | | | | | | | | |
| SPRING, WEIGHT RETURN..... | C5 | 17 | 7 | | | | | | | | |
| | | | 8 | | | | | | | | |
| STARTER ASSY., RECOIL..... | C6 | 18 | 1 | | | | | | | | |
| SWITCH ASSY., ENGINE STOP..... | D3 | 31 | 9 | | | | | | | | |
| | | | 10 | | | | | | | | |
| | D6 | 34 | 13 | | | | | | | | |
| | D9 | 37 | 15 | | | | | | | | |
| (T) | | | | | | | | | | | |
| TUBE, BREATHER..... | C7 | 19 | 1 | | | | | | | | |
| | D1 | 29 | 1 | | | | | | | | |
| TUBE, FUEL TANK..... | C7 | 19 | 7 | | | | | | | | |
| TUBE, FUEL VALVE..... | C14 | 26 | 16 | | | | | | | | |
| TUBE, FUEL, 4.5X165..... | C14 | 26 | 16 | | | | | | | | |
| (V) | | | | | | | | | | | |
| VALVE SET, FLOAT..... | C10 | 22 | 2 | | | | | | | | |
| | C13 | 25 | 2 | | | | | | | | |
| VALVE, BREATHER..... | C2 | 14 | 9 | | | | | | | | |
| VALVE, EX..... | C5 | 17 | 10 | | | | | | | | |
| VALVE, IN..... | C5 | 17 | 9 | | | | | | | | |
| (W) | | | | | | | | | | | |
| WASHER C, THRUST, 25MM..... | C4 | 16 | 10 | | | | | | | | |
| WASHER, DRAIN PLUG, 10.2MM..... | C3 | 15 | 28 | | | | | | | | |
| | D12 | 40 | 10 | | | | | | | | |
| WASHER, PLAIN, 6MM..... | C3 | 15 | 35 | | | | | | | | |
| | D2 | 30 | 10 | | | | | | | | |
| WASHER, SEALING, 6.5X12..... | D3 | 31 | 21 | | | | | | | | |
| WASHER, THRUST, 12MM..... | C3 | 15 | 44 | | | | | | | | |
| WASHER, THRUST, 6MM..... | C3 | 15 | 27 | | | | | | | | |
| WASHER, 10X21..... | C3 | 15 | 45 | | | | | | | | |
| WEIGHT, GOVERNOR..... | C2 | 14 | 15 | | | | | | | | |